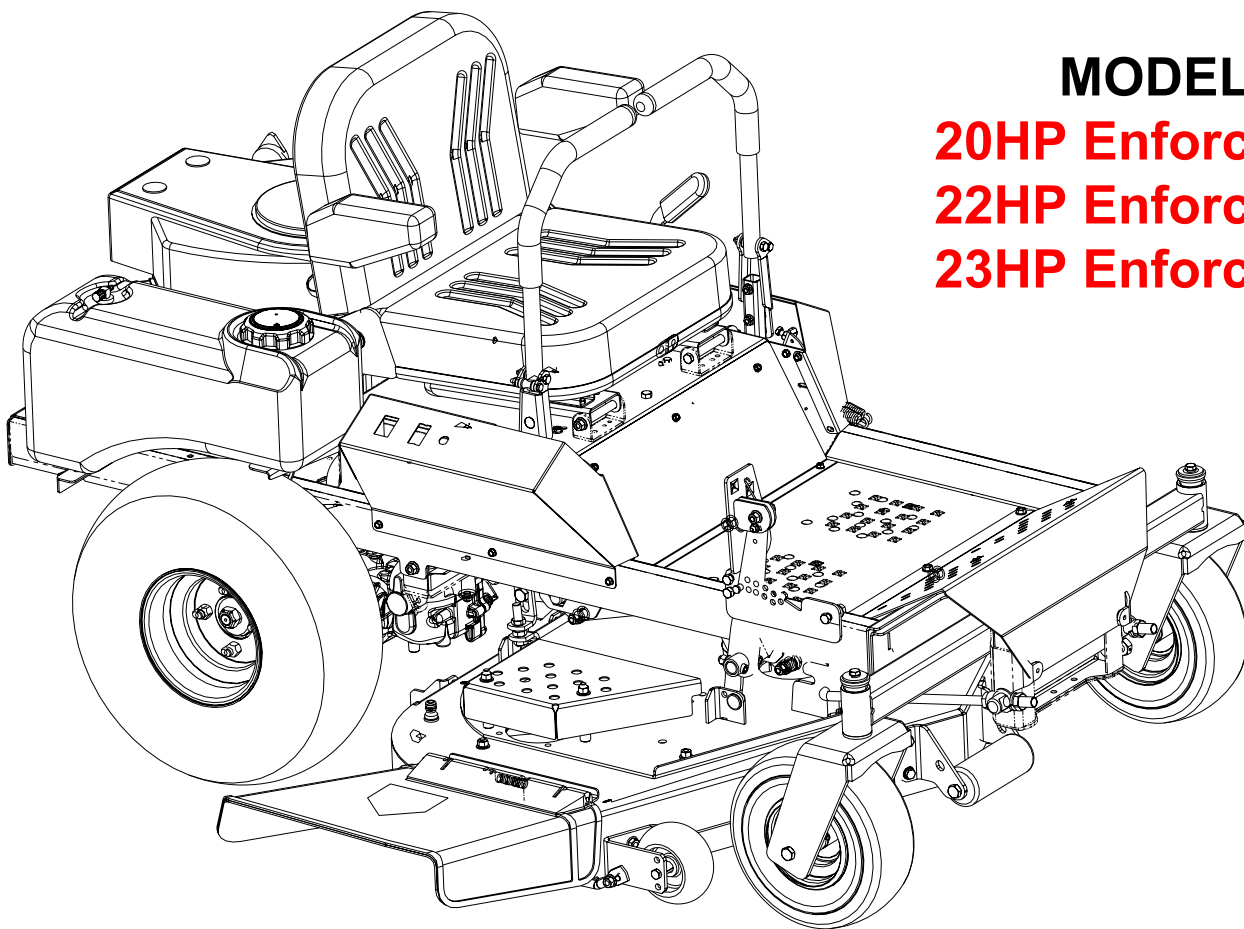




# Hydrostatic Zero-Turn Commercial Riding Mower

---

*Professional Turf Equipment*



**MODEL**

**20HP Enforcer 44**

**22HP Enforcer 48**

**23HP Enforcer 54**

## **OPERATOR'S AND SERVICE MANUAL**

---

# TABLE OF CONTENTS

---

|  |                   |
|--|-------------------|
| Foreword . . . . .                                       | 3                 |
| General Safety Operations . . . . .                      | 4                 |
| A. General Operation . . . . .                           | 4                 |
| B. Slope Operation . . . . .                             | 5                 |
| C. Children . . . . .                                    | 5                 |
| D. Service . . . . .                                     | 6                 |
| E. Related to Batteries. . . . .                         | 6                 |
| F. Related to Fuel. . . . .                              | 7                 |
| G. Towing. . . . .                                       | 7                 |
| H. Suspension Seat. . . . .                              | 7                 |
| Safety Decals . . . . .                                  | 8                 |
| Specifications . . . . .                                 | 9                 |
| Operating Instructions . . . . .                         | 10                |
| A. General. . . . .                                      | 10                |
| B. Controls . . . . .                                    | 11                |
| C. Initial Adjustments . . . . .                         | 13                |
| D. Zero Turn Break-In and Operating Procedures . . . . . | 14                |
| E. Mower Cutting Blades . . . . .                        | 16                |
| Maintenance and Service. . . . .                         | 17                |
| A. Cleaning your Deck . . . . .                          | 17                |
| B. Mower Deck . . . . .                                  | 18                |
| C. Hydrostatic Drive System . . . . .                    | 19                |
| D. Electrical Circuit . . . . .                          | 19                |
| E. Tires . . . . .                                       | 21                |
| F. Brakes . . . . .                                      | 21                |
| G. Hydraulic System. . . . .                             | 22                |
| H. Storage . . . . .                                     | 22                |
| Maintenance Schedule . . . . .                           | 23                |
| Performance Adjustments . . . . .                        | 25                |
| A. High Speed Tracking Adjustment . . . . .              | 25                |
| B. Engine RPM Check and Adjustment . . . . .             | 25                |
| C. Deck Corner Ball Wheel Roller Settings. . . . .       | 26                |
| D. Deck Center Anti-Scalp Roller Settings . . . . .      | 26                |
| E. Lap Bar Adjustment . . . . .                          | 26                |
| F. Deck Leveling Procedure . . . . .                     | 27                |
| Wiring Diagram. . . . .                                  | 28                |
| Slope Gauge. . . . .                                     | 29                |
| Warranty . . . . .                                       | 31 and Back cover |

This product may be covered by one or more of the following patents:  
D409,208; 5,946,894; 6,070,690; 6,662,538; Pending

# FOREWORD

The Hydrostatic Zero-Turn Riding Mower provides superb maneuverability and mid-mount cutting. The machine incorporates many safety features that should be studied by all operators before use. The list of safety precautions should receive particular attention.

This manual presents all of the operating and maintenance instructions necessary to keep your mower at peak efficiency. If operated and maintained properly, your mower will give dependable service.



## **CAUTION:**

**Only thoroughly trained persons should operate and maintain this mower. This machine can cause serious injury to anyone who misuses it and does not understand its operation. For their personal safety, all operators are required to read this entire manual before operating the mower.**

**Hazard control and accident prevention are partially dependent upon the design and configuration of the equipment. Awareness, concern, prudence and proper training of the personnel involved in the operation, transport, maintenance and storage of the equipment, are essential for hazard control and accident prevention.**

**NOTE:** The engine manufacturer is responsible for all engine-related issues with regards to performance, power-rating, specifications, warranty and service. Please refer to the engine manufacturer's owner's/operator's manual, packed separately with your unit, for more information.

## **MODELS LISTED IN THIS MANUAL**

**20HP 44",  
53AH3AGF050**

**22HP 48",  
53AH3AGN050**

**23HP 54",  
53AH3AGT050**


## **WARNING**

- The engine exhaust, some of its constituents, and certain vehicle components contain or emit chemicals known to the State of California to cause cancer, birth defects or other reproductive harm.
- This unit is equipped with an internal combustion engine and should not be used on or near any unimproved forest-covered, brush-covered, or grass-covered land unless the engine's exhaust system is equipped with a spark arrester meeting applicable local or state laws (if any). If a spark arrester is used, it should be maintained in effective working order by the operator.
- In the State of California, the above is required by law (Section 4442 of the California Public Resources Code). Other States may have similar laws. Federal laws apply to federal lands. A spark arrester muffler may be available.

## **IMPORTANT**

## **SAFE OPERATION PRACTICES**



THIS SYMBOL POINTS OUT IMPORTANT SAFETY INSTRUCTIONS WHICH, IF NOT FOLLOWED, COULD ENDANGER THE PERSONAL SAFETY AND/OR PROPERTY OF YOURSELF AND OTHERS. READ AND FOLLOW ALL INSTRUCTIONS IN THIS MANUAL BEFORE ATTEMPTING TO OPERATE YOUR UNIT. FAILURE TO COMPLY WITH THESE INSTRUCTIONS MAY RESULT IN PERSONAL INJURY. WHEN YOU SEE THIS SYMBOL-  **HEED ITS WARNING.**



## **DANGER**

Your lawn mower was built to be operated according to the rules for safe operation in this manual. As with any type of power equipment, carelessness or error on the part of the operator can result in injury. This lawn mower is capable of amputating hands and feet or throwing objects. Failure to observe the following safety instructions could result in serious injury or death.

## **GENERAL SAFETY OPERATIONS**



### **A. GENERAL OPERATION**

1. Read, understand and follow all instructions in the manual and on the machine before starting. Keep this manual in a safe place for future and regular reference and for ordering replacement parts.
2. Only allow responsible individuals familiar with the instructions to operate the machine. Know the controls and how to stop the machine quickly.
3. Do not put hands or feet under the cutting deck or near rotating parts.
4. Clear the area of objects such as rocks, toys, wire, etc. which could be picked up and thrown by the blades. A small object may have been overlooked and could be accidentally thrown by the mower in any direction and cause injury to you or a bystander. To help avoid a thrown objects injury, keep children, animals, bystanders and helpers at least 75 feet from the mower while it is in operation. Always wear safety glasses with side shields or safety goggles during operation or while performing and adjustment or repair, to protect eyes from foreign objects. Stop the blades when crossing gravel drives, walks or roads.
5. Be sure the area is clear of other people before mowing. Stop machine if anyone enters the area.
6. Never carry passengers.
7. Disengage the blades before shifting into reverse and backing up. Always look down and behind before and while backing.
8. Be aware of the mower and attachment discharge direction and do not point it at anyone. Do not operate the mower without either the entire grass catcher or the chute guard in place.
9. Slow down before turning. Operate the machine smoothly. Avoid erratic operation and excessive speed.
10. Never leave a running machine unattended. Always turn off the blades, place the transmission in neutral, set the parking brake, stop the engine and remove key before dismounting.
11. Turn off blades when not mowing.
12. Stop the engine and wait until the blades come to a complete stop before (a) removing the grass catcher or unclogging chute, or (b) making any repairs, adjusting or removing any grass or debris.
13. Mow only in daylight or good artificial light.
14. Do not operate the machine while under the influence of alcohol or drugs.
15. Watch for traffic when operating near or crossing roadways.
16. Use extra care when loading or unloading the machine into a trailer or truck. This unit

should not be driven up or down a ramp onto a trailer or truck under power, because the unit could tip over causing serious personal injury. The unit must be pushed manually on a ramp to load or unload properly.

17. Never make a cutting height adjustment while the engine is running if the operator must dismount to do so.
18. Wear sturdy, rough-soled work shoes and closefitting slacks and shirts. Do not wear loose fitting clothes or jewelry. They can be caught in moving parts. Never operate a unit in bare feet, sandals or sneakers.
19. Check overhead clearance carefully before driving under power lines, wires, bridges or low hanging tree branches, before entering or leaving buildings, or in any other situation where the operator may be struck or pulled from the unit, which could result in serious injury.
20. Disengage all attachment clutches, set the parking brake to the on position and put the lap bars to the neutral or out position, before attempting to start the engine.
21. Your mower is designed to cut normal residential grass of a height no more than 10". Do not attempt to mow through unusually tall, dry grass (e.g. pasture) or piles of dry leaves. Debris may build up on the mower deck or contact the engine exhaust presenting a potential fire hazard.
22. Use only accessories approved for this machine by *Cub Cadet*. Read, understand and follow all instructions provided with the approved accessory.
23. Do not operate or store the machine or fuel container inside where there is an open flame, spark or pilot light such as a water heater, furnace, clothes dryer, etc.

## B. SLOPE OPERATION



Slopes are a major factor related to loss of control and tip-over accidents, which can result in severe injury or death. **All** slopes require extra caution. If you cannot back up the slope or if you feel uneasy on it, do not mow it.

For your safety, use the slope gauge included as a part of this manual (see pg. 27) to measure slopes before operating this unit on a sloped or hilly area. If the slope is greater than 15 degrees as shown on the slope gauge, do not operate this unit on that area or serious injury could result.

### DO:

- Mow across slopes, not up and down.
- Remove obstacles such as rocks, limbs, etc.

- Watch for holes, ruts or bumps. Uneven terrain could overturn the machine. **Tall grass can hide obstacles.**

- Use slow speed. Choose a low enough speed so that you will not have to stop while on the slope.

- Follow the manufacture's recommendations for counterweights with attachments to improve stability.

- Use extra care with grass catchers (material collection systems) or other attachments. These can change the stability of the machine.

- Keep all movement on the slopes **slow** and **gradual**. Do not make sudden changes in speed or direction. Rapid acceleration or deceleration could cause the front of the machine to lift and rapidly flip over backwards, which could cause serious injury.

- Avoid starting or stopping on a slope. If the tires lose traction, disengage the blades and proceed slowly **straight** down the slope.

### DO NOT:

- **Do not** turn on slopes unless necessary; then, turn slowly and use extra care.

- **Do not** mow near drop-offs, ditches or embankments. The mower could suddenly turn over if a wheel is over the edge of a cliff or ditch, or if an edge caves in.

- **Do not** mow on wet grass. Reduced traction could cause sliding.

- **Do not** try to stabilize the machine by putting your foot on the ground.

- **Do not** use the grass catcher on steep slopes.

## C. CHILDREN



Tragic accidents can occur if the operator is not alert to the presence of children.

Children are often attracted to the machine and the mowing activity. **Never** assume that children will remain where you last saw them.

1. Keep children out of the mowing area and in watchful care of an adult other than the operator.
2. Be alert and turn the machine off if children enter the area.
3. Before and when backing up, look behind and **down** for small children.
4. Never carry children, even with the blades off. They may fall off and be seriously injured or may interfere with safe machine operation.
5. Never allow children under 14 years old to operate the machine. Children 14 years and over should only operate the machine under close parental supervision and proper instruction.

6. Use extra care when approaching blind corners, shrubs, trees or other objects that may obscure your vision of a child or other hazard.
7. Remove the key when the machine is left unattended to prevent unauthorized operation.

## D. SERVICE



1. Use extreme care in handling gasoline and other fuels. They are extremely flammable and the vapors are explosive.
  - a. Use only an approved container.
  - b. Never remove fuel cap or add fuel with the engine running. Allow the engine to cool at least two minutes before refueling.
  - c. Replace the fuel cap securely (it will "click" when correct) and wipe off any spilled fuel before starting the engine as it may cause a fire or explosion.
  - d. Extinguish all cigarettes, cigars, pipes and other sources of ignition.
  - e. Never refuel the machine indoors because fuel vapors will accumulate in the area.
  - f. Never store the fuel container or machine inside where there is an open flame or spark, such as a gas hot water heater, space heater or furnace.
2. Never run a machine inside a closed area.
3. To reduce fire hazard, keep the machine free of grass, leaves or other debris build-up. Clean up oil or fuel spillage. Allow the machine to cool at least 5 minutes before storing.
4. Before cleaning, repairing or inspecting, make certain the blade and all moving parts have stopped. Disconnect the spark plug wire, and keep the wire away from the spark plug to prevent accidental starting.
5. Check the blade and engine mounting bolts at frequent intervals for proper tightness. Also visually inspect blades for damage (e.g., excessive wear, bent, cracked). Replace with blades which meet original equipment specifications.
6. Keep all nuts, bolts and screws tight to be sure the equipment is in safe working condition.
7. Never tamper with safety devices. Check their proper operation regularly. Use all guards as instructed in this manual.
8. After striking a foreign object, stop the engine, remove the wire from the spark plug and thoroughly inspect the mower for any damage. Repair the damage before restarting and operating the machine.
9. Grass catcher components are subject to wear, damage and deterioration, which could

expose moving parts or allow objects to be thrown. For your safety protection, frequently check the components and replace with manufacturers recommended parts when necessary.

10. Mower blades are sharp and can cut. Wrap the blades or wear gloves, and use extra caution when servicing blades.
11. Check park brake operation frequently. Adjust and service as required.
12. Muffler, engine and belt guards become hot during operation and can cause a burn. Allow to cool down before touching.
13. Do not change the engine governor settings or overspeed the engine. Excessive engine speeds are dangerous.
14. Observe proper disposal laws and regulations. Improper disposal of fluids and materials can harm the environment and the ecology.
  - a. Prior to disposal, contact your local Environmental Protection Agency to determine the proper method for disposing of the waste. Recycling centers are established to properly dispose of materials in an environmentally safe fashion.
  - b. Use proper containers when draining fluids. Do not use food or beverage containers that may mislead someone into drinking from them. Properly dispose of the containers immediately following the draining of fluids.
  - c. DO NOT pour oil or other fluids into the ground, down drain or into a stream, pond, lake or other body of water. Observe Environmental Protection Agency regulations when disposing of oil, fuel, coolant, brake fluid, filters, batteries, tires and other harmful waste.
15. We do not recommend the use of high pressure washers to clean your unit. They may cause damage to electrical components; spindles; pulleys; bearings; or the engine.

## E. Related to Batteries

Batteries are stored electrical energy devices that may be serviceable with removable caps (the electrolyte levels can be checked), or may be non-serviceable (no attempt should be made to open the vents).

Batteries may contain lead (Pb) and sulfuric acid, and they must be re-cycled and not disposed of nor abandoned. Sulfuric acid can cause severe burns, and in the event of contact, the areas should be flushed with water and a physician contacted. Battery cases should not be punctured. Lead is poisonous

and is contained within the positive and negative terminals as well as within the battery's internal grid-work of plates and active materials.

A. Explosive gases are generated when batteries are re-charged, so sparks, flames and heat sources should be avoided. Loose connections at the battery terminals can produce sparks and heat...connections to the terminals must be kept tight, and the terminals and battery surfaces kept clean of acids and corrosion. If batteries are re-charged or "jumped" from external sources, make sure that the connections are made properly and in the correct sequence...connect to the positive terminal of the good battery first, then connect that to the positive terminal of the weak battery. The third connection should be to the negative terminal of the good battery, followed by the negative terminal of the weak battery. If sparks are observed or heating of the wiring or connectors is detected, disconnect in reverse order (I.E., the negative terminal of the weak battery first). Batteries should be re-charged at a constant voltage...generally 14.5 +/- 0.5 volts DC for a nominal 12 volt DC battery.

## F. Related to Fuel

1. Fuel is highly flammable and its vapors can explode if ignited. Please respect it.
2. Do not smoke or permit others to smoke while handling fuel.
3. Always use approved containers for fuel and fill slowly to decrease the chance of static electricity buildup and spillage.
4. Store fuel in well ventilated and unoccupied buildings away from sparks and flames.
5. When dispensing gasoline into approved containers, place the container on the ground when refueling to avoid a possible static electricity ignition of fuel vapors.
6. Do not fill containers while it is inside a vehicle, trunk, the bed of a pickup or floor of a trailer.
7. Always shut off the engine and permit it to cool before removing the fuel tank cap.
8. Always fill the fuel tank outdoors.
9. If the fuel container spout will not fit inside the fuel tank opening, use a funnel.
10. When filling the fuel tank, stop when the fuel reaches one inch from the top. This space is necessary for tank expansion. **Do not overfill.**
11. Wipe up any spilled fuel.

## G. Towing

1. Tow only with a machine that has an approved hitch designed for towing. Do not

attach towed equipment except at the hitch point.

2. Follow the manufacturers recommendation for weight limits for towed equipment and towing on slopes.
3. Never allow children or others in or on towed equipment.
4. On slopes, the weight of the towed equipment may cause loss of traction and loss of control. Note: 5 degrees (9%) maximum slope.
5. Travel slowly and allow extra distance to stop.

## H. Suspension Seat

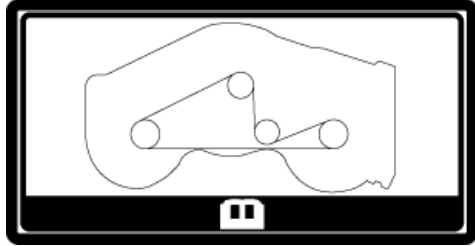
1. This unit is equipped with a heavy-duty vinyl fabric-covered seat incorporating adjustable armrests, an adjustable seatback, an adjustable fore/aft track, a weight/ride adjustable mechanical suspension system, and an Operator Presence Sensor (OPS).
2. An OPS in the form of a switch, is integrated into the seat bottom and is connected to the machine electrical system. The weight/ride adjustment lever is located on the right side of the seatback and incorporates three settings: light = 110 lbs, medium = 195 lbs, and heavy = 286 lbs. Lever up is light and down is heavy. Weight adjustment should be made without the operator sitting in the seat. The seatback recline adjustment is also on the right side between the seat back and seat bottom, and it provides up to 10 degrees.
3. The fore/aft single-locking adjustment tracks operate on roller-bearings for smooth and almost effortless operation. The lever for seat track actuation is near the right front corner of the seat bottom, and allows fore/aft adjustment of 4".
4. The seat is attached to pivotal brackets, which allow the seat assembly to pivot forward onto the foot platform area.

**Note:** The Operator Presence Sensor must be connected to the electrical wiring harness.



**WARNING-YOUR RESPONSIBILITY:** Restrict the use of this power machine to persons who read, understand and follow the warnings and instructions in this manual and on the machine.

# SAFETY DECALS AND LABELS



Part Number: 777I22444



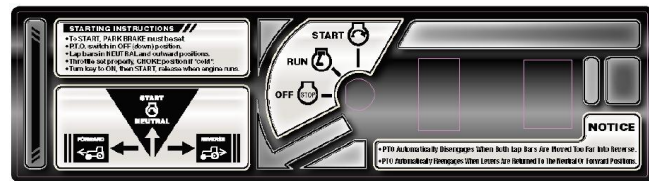
Part Number: 777I22757



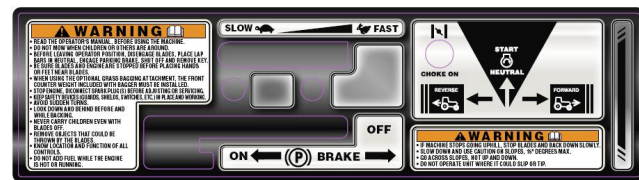
Part Number: 777S32598



Part Number: 777S30145



Part Number: 777I22741



Part Number: 777S32839



# SPECIFICATIONS

| GENERAL INFO.               |  |
|-----------------------------|--|
| <b>Controls:</b>            | Engine ignition and start switch; throttle & choke; left and right steering levers; electric blade clutch switch; parking brake; mower deck lift |
| <b>Parking Brake:</b>       | Mechanical linkage attached to the brake handle  |
| <b>Seat:</b>                | Weight adjustable suspension seat with adjustable seat back and armrest. 4" Adjustment front-to-rear   |
| <b>Frame:</b>               | Structural steel, all welded construction  |
| <b>Instrumentation:</b>     | Hour meter   |
| <b>Front Caster Wheels:</b> | 13 x 5.00 - 6  |
| <b>Drive Wheels:</b>        | 20 x 8.00-10 for 44" & 48"; 20 x 10.00-10 for 54"  |
| <b>Tire Pressure:</b>       | 8-10 psi rear, 20-25 psi front caster  |
| <b>Fuel Tank:</b>           | Two 5 gallons with individual shut off valves  |
| <b>Ground Speed:</b>        | 0-8 MPH forward. 0-4 MPH reverse   |
| <b>Net Weight:</b>          | 726 lbs 44"; 742 lbs 48"; 759 lbs 54"  |

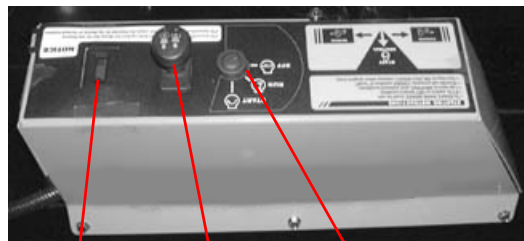
| ENGINE INFO.        |   |
|---------------------|---|
| <b>Engine:</b>      | 20HP Kohler Command 44"; 22HP Kohler Command 48"; 23HP Kohler Command 54" |
| <b>Type:</b>        | Vertical air cooled V-Twin  |
| <b>Air Cleaner:</b> | Paper element and foam precleaner   |
| <b>Lube System:</b> | Pressurized with oil filter, drain valve with hose                        |
| <b>Starter:</b>     | 12-volt electric  |
| <b>Clutch:</b>      | Electric blade brake clutch   |

| TRACTION DRIVE INFO.   |  |
|------------------------|--|
| <b>Traction Drive:</b> | Variable-speed integrated hydraulic charged ZT-2800 pumps and wheel motors on each drive wheel |

| CUTTER DECK INFO.          |  |
|----------------------------|--|
| <b>Cutter Deck; Drive:</b> | 44", 48", 54" belt driven fabricated deck  |
| <b>Deck Lift:</b>          | Foot lever w/ lock for height adjustment   |
| <b>Cutting Height:</b>     | 1" to 4" in 1/4" increments                |
| <b>No. of Blades:</b>      | 3, belt-driven, power take-off from engine |

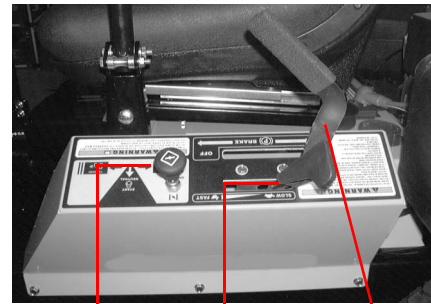
# OPERATING INSTRUCTIONS

Figure. 1



Hour Meter  
Electric Blade Clutch Switch  
Ignition Switch

Figure. 2



Choke  
Engine throttle  
parking brake

## E. General

### 1. When Mowing:

- a. Keep adults, children, and pets away from the area to be mowed.
- b. When operating this mower, in the forward direction, do not allow the steering levers to return to neutral on their own. Always maintain a firm grip on the levers, operate them smoothly and avoid any sudden movements of the levers when starting and stopping.
- c. If the mower is equipped for side discharge, never use the mower without the discharge chute installed and placed in the down position.
- d. Always remove debris and other objects from the area to be mowed (Note: debris and loose grass will reduce traction).
- e. Mow only in daylight or good artificial light.
- f. Watch for holes, sprinkler heads, and other hidden hazards.
- g. Avoid driving too close to trees, creeks, ditches, sand traps, and other obstacles.
- h. Before backing up, check behind and watch where you are going.
- i. Always reduce speed when making a turn, and when grass is wet.
- j. Always mow across slopes, never up and down the slope. Do not operate on steep slopes and slow down before turning. Avoid turning downhill if possible, start at the bottom and work up to the top. Use extra care and go slowly when turning downhill. Control the speed and direction of the zero turn machine “primarily” with the speed/directional control (lap bar) of the downhill side of the machine...I.E., maintain the uphill side lap bar “essentially” in a fixed position.
- k. Be careful when crossing gravel paths or roadways. Always turn off the blade clutch switch and wait until the blades stop rotating and raise the cutting deck to the transport position. Always allow other vehicles to have the right of way.
- l. If you hit a solid object while mowing, turn off the blade clutch switch, place the steering levers in the neutral, opened-out position, move the throttle to slow, set the parking brake, shut off the engine, and take the key from the ignition switch. Inspect for damage. Repair the damage. Make sure the blades are in good condition and that the blade bolts are tight before restarting the engine.
- m. Never leave the mower unattended without performing the following: turn off the blade clutch switch, placing the steering levers in the neutral open-out position, moving the throttle to slow, setting the parking brake, shutting off the engine and taking the key from the ignition switch.
- n. Never walk or stand on the discharge side of the mower when the engine is running. Turn off the blade clutch switch if another person approaches while you are operating the mower.
- o. Never attempt to operate the traction unit without having the mowing deck attached.
- p. Keep the mower and especially the engine and hydraulic components clean and free of grease, grass, and leaves to reduce the chance of fire and permit proper cooling.

## 2. Safety Awareness when Mowing

- a. Do not operate on steep slopes, those above 15 degrees (27% slope).
- b. Avoid turning downhill if possible, use extra care and go slowly.
- c. Avoid turning when going downhill, traction is at a minimum going downhill.
- d. Do not operate with discharge side of the mower toward streets, buildings, playgrounds, parking lots, other machines, animals, and other people.
- e. Avoid operation or use extreme care if the traction surface is wet, unstable, or slippery.
- f. Use extra care when grass clippings, leaves, pine needles, or debris are present as traction can be reduced.
- g. Slow-down before turning and come to a complete stop before any zero turn maneuver.
- h. Do not stop machine or park machine over combustible materials such as dry grass, leaves, debris, etc.

## 3. To Mow Grass and Produce a Striped Pattern

- a. Pick a point on the opposite side of the area to be mowed (post, tree, shrub, etc.).
- b. If on a hillside, start at the bottom so that the turns are uphill rather than downhill.
- c. Align the mower so as to head directly toward the object on the far side.
- d. Slowly increase the speed of the machine to match cutting conditions, terrain, and operator familiarity with the controls and keep the machine headed directly toward the alignment object. Do not go fast as to reduce cut quality or to be uncomfortable in controlling the speed and direction of the machine.
- e. When approaching the other end of a strip, slow down or stop before turning. A U-turn is recommended unless a zero turn is required. The speed of a U-turn that will allow for machine controllability and minimal turf defacement will be dependent on several factors including: the speed during turning, the radius of the turn, the tire tread pattern, the traction coefficient of the tire to the traction surface, the slope of the traction surface.
- f. Remember, a zero turn requires that the forward or reverse travel of the machine be stopped prior to the initiation of the turn or severe turf defacement can occur.
- g. To prevent rutting or grooving of the turf, change the direction that the strips are mowed by approximately 45 degrees the

next and each subsequent time that the area is mowed.

## F. Controls

1. **Engine Ignition and Start Switch:** (See Figure 1.) Located on the instrument housing below the right side of the operator's seat. When the key is inserted and turned clockwise, 45 degrees, the ignition circuit is closed. Turning the switch further against spring pressure starts the engine. The engine will only start if the blade clutch switch is in the "off" position, the parking brake is engaged and the left and right steering levers are in the neutral, opened-out position. The key should always be removed from the switch if the operator leaves the mower's seat.
2. **Engine Throttle Control:** (See Figure 2.) Located on the left side of the mower next to the operator's seat. Moving the throttle control from the rear to the front will increase the engine speed from slow to fast. Stop at the detent, or the choke will be activated.
3. **Left and Right Steering Levers:** (See Figure 3.) These hinged levers open out to the side in any position to permit the operator to be seated or to leave the mower's seat. The operator, when seated, can pull the levers up to the operating position, a comfortable forearm's length away. These levers control all of the movements of the mower. Pushing both levers forward causes the mower to move forward. Pulling both levers back causes the mower to move backward. Pushing one lever ahead of the other lever causes the traction wheel on the side where the lever is ahead to rotate faster than the other traction wheel, making the mower turn toward the side where the lever is behind. When one lever is pushed forward and the other lever pulled back the same amount, one traction wheel will turn in reverse and the mower will turn within its own length.

In order to start the engine, both steering levers must be in the neutral position; the parking brake must be engaged; and the blade clutch switch must be "off". However, once the engine starts, the parking brake must be released before the operator can move the steering levers.

**Note:** The Steering Lever will return toward neutral when released, but they should be placed in neutral by the driver. If the Drive Handles are not placed in neutral, the tractor may creep.

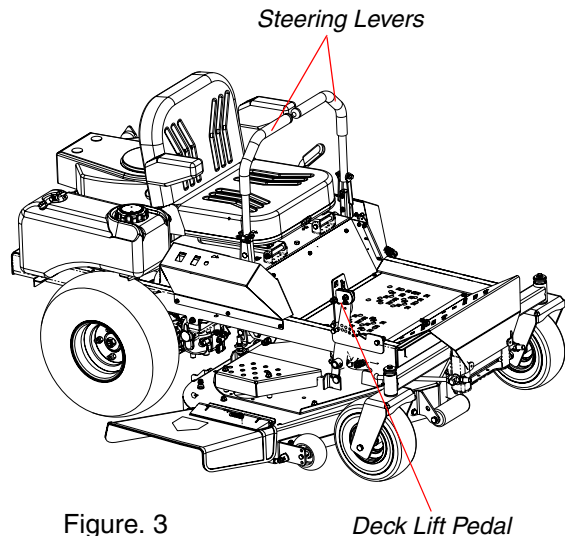


Figure. 3

Deck Lift Pedal

4. **Electric Blade Clutch Switch:** (See Figure 1.) Located on the right side of the mower beside the ignition switch. This is an “on/off” push-pull switch that controls the electric blade clutch which supplies power to the cutting blades through the PTO. The switch must be turned off to start the engine and should be turned off for safety any time another person approaches the mower or the mowing deck is raised to the transport position. Power to the electric clutch will also be cut off if the operator leaves the operator’s seat.
5. **Parking Brake:** (See Figure 3.) Located on the left side of the traction unit. The handle is an overcenter lever which applies the drum brakes on the drive wheels when the handle is pulled to the rear. The brake must be engaged in order to start the engine.
6. **Deck Lift Pedal:** (See Figure 3.) Located on the panel in front of the seat. Raise the mowing deck to the transport position, by pushing the upper part of the pedal. To lower the mowing deck, push on the upper part of the pedal and lower it to the desired position.
7. **Fuel Shutoff Valve:** (See Figure 4.) Located on top of each fuel tank. When turned in a clockwise direction until it stops, it will shut off the flow of fuel to the engine. When turned in a counterclockwise direction it will open and allow fuel to flow to the engine. Close this valve if you are not going to run the mower for a period of 30 minutes or more to prevent flooding the engine.

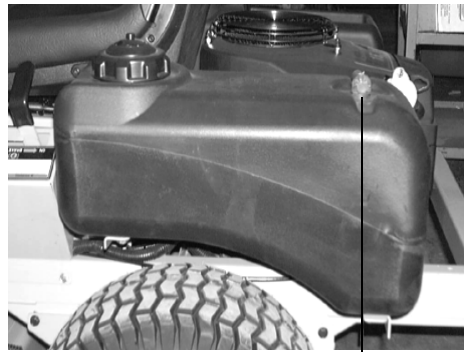


Figure. 4

Fuel Shutoff Valve

8. **Seat Position Adjustment Lever:** The Seat Position Adjustment Lever is located beneath the seat. The Seat Position Adjustment Lever is used to move the seat forward and backward. To place the seat in the desired position pull the seat adjustment lever to the left then push the seat forward or back to the desired position. Release the lever so the seat will lock in place.
  9. **Weight Adjustment Lever:** The weight adjustment lever is located on the right side of the seatback and incorporates three settings: upper is 110 lbs, middle is 195 lbs, and lower is 285 lbs.
  10. **Seatback Recline Knob:** The seatback recline knob is located on the right side between the seat back and seat bottom. Turning it clockwise adds additional recline up to 10 degrees.
  11. **Hour Meter:** (See Figure 1) Located on the right side of the mower behind the ignition switch. The hour meter displays running time.
- Note:** An optional meter provides engine speed (RPM), service reminders (oil, lube), and running time (hours).
12. **Choke Lever:** (See Figure 2) The Choke knob is located on the left side control panel next to the operator’s seat. Having the Choke in the ON (up) position helps the engine to start during initial start-up. During normal operation the Choke should be in the OFF (down) position.

## G. Initial Adjustments

### 1. Check the fluid levels and tires:

**Note:** These checks should be made daily, before starting the engine.

- a. **Fuel:** Using a good grade of unleaded, regular gasoline, fill the fuel tank (beside the engine on the left side of the mower). When the fuel reaches one inch from the top of the tank, stop. DO NOT OVERFILL. Space must be left for expansion.
- b. **Engine Oil:** (Filled at the factory before shipment.) Pull out the oil dipstick, wipe it off and reinsert it. Pull it out again and read the oil level. If it is below the operating range, add oil through the fill tube using a funnel to bring it up to the top of the operating range.

**Note:** Gasoline Engine: For the recommended oil weight refer to engine manual.

- c. **Hydraulic Oil:** (Filled at the factory before shipment.) The hydraulic oil is contained within the integrated hydrostatic transaxles and an expansion tank which should be maintained with a 1/2" to 1" above the bottom of the tank.

**Note:** See Maintenance Schedule Section E, page 23.

- d. **Tires:** 8-10 psi rear, 20-25 psi front caster tires

**Note:** New tires are overinflated in order to properly seat the bead to the rim. The normal working pressure for the traction tires is 8-10 psi. The front caster wheels should be inflated to 20-25 psi.

### 2. Check that all Nuts, Bolts and Screws are Tight.

### 3. Check the tension of the deck drive belts.

- a. Remove the deck cover
- b. The tension of the deck drive belts are maintained by a spring mechanism that adjusts for wear and stretch.
- c. Examine the belts for cuts, fraying, and excessive wear. Replace if any of these are detected.
- d. Replace the deck cover.

4. **Adjust the Mowing Deck:** The cutting height is set in 1/4" increments in the range of 1" to 4". Do not attempt to raise the mower deck higher than 4" because you will damage components on your mower. You may need to adjust the mowing deck to achieve the proper angle for mowing. Follow the procedures below to set the appropriate angle to the mowing deck.

- a. Park the mower on a flat paved surface, engage the parking brake, shut off the

engine, remove the key from the ignition switch, remove connection of the spark plugs and using the foot pedal, lower the mowing deck into the cutting position.

- b. Using a ruler, pencil and paper, measure and note the distance from the paved surface to the bottom edge of the mowing blade at the front and the back of the deck on each side of the mower. (Four dimensions.)

**Note:** The front edge of the mowing deck should be 1/8"-1/4" (1/8" for 1-1/2" and 1/16" for 1") below the rear edge of the deck so that the blades are cutting grass in only the front half of their circular path. This decreases friction and reduces the drive power required.

- c. If the dimension at the front of the mowing deck is 1/8"-1/4" (1/8" for 1-1/2" and 1/16" for 1") lower than the dimension at the rear of the deck (pitch) on each side of the mower, do not adjust. If not, you will need to adjust the Lift Links (See Figure 5).

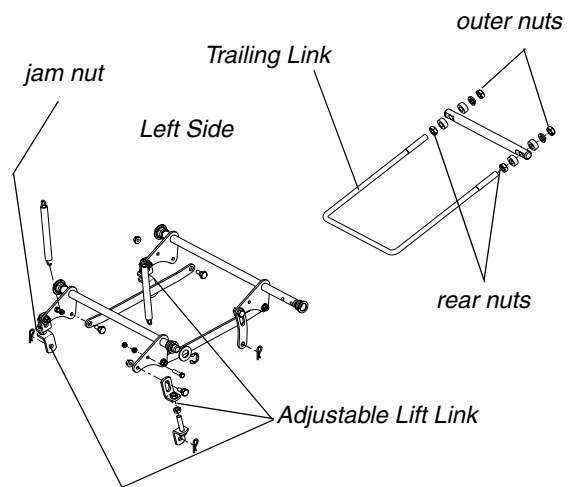


Figure 5

- d. To level the deck (side to side), place the deck in the (3" suggested) cutting position. With a 3/4" wrench loosen the lower jam nut of the left side of the Lift Link. To adjust the side of the deck up or down turn the upper jam nut clockwise (to raise) or counter clockwise (to lower) a few turns.
- e. To change the pitch (front to rear), loosen the lower nuts on the rear Lift Links. With a few turns, adjust clockwise (to raise) or counter clockwise (to lower) the upper nuts of the rear Lift Links. Once the deck is adjusted, retighten lower nuts.
- f. Raise the mowing deck to the transport position using the deck lift pedal.
- g. Use the deck lift pedal to lower the mowing deck to the cutting position and repeat step "b." above to make sure that the desired cutting height and pitch and level have been attained. If the dimensions are not correct, repeat steps "c." through "f." above.

5. Lubricate all fittings listed in the maintenance section.

## H. Zero Turn Break-In And Operating Procedures



### **DANGER:**

Reread the “When Mowing” Safety Precautions.

The following procedures are suggested for operators of ride-on machines which have zero turn capabilities.

#### 1. Orientation:

- a. Read the entire Operator’s Manual.
- b. Sit on the machine, adjust the seat fore-and-aft, then adjust the speed/directional (lap bar) controls (they can be adjusted fore-and-aft, as well as up-and-down — 9/16" wrench required).
- c. Become familiar with all of the machine controls, instrumentation, safety and instruction signs, and safety devices.
- d. Move (or have moved) the machine to a safe, level area with no obstructions including objects, pedestrians, and animals.

#### 2. Initial Operation:

- a. Use protective equipment for eyes, hands, hearing, feet, legs, head and other areas of the body if needed — safety eye glasses, gloves, earplugs, boots, hats, etc.



### **WARNING:**

Hearing Protection is required for all operator exposure exceeding two (2) hours.

- b. Ensure that the area is free of animals and bystanders, especially children!
- c. Survey the area where the equipment is to be used to make sure it is free of debris, sticks, stones, wires, bones, and other foreign objects which could cause injury to bystanders, damage to the machine, or damage to nearby facilities.
- d. Inspect the machine to make sure:
  1. All guards, shields (including mower chute deflector) are in their proper place, are secure, and are functional.
  2. That there are no spilled or leaking fuel or oil sources, nor loose fuel or hydraulic tank caps, hoses or fittings.
  3. That there are no loose or missing hardware nor any missing items.
  4. That no non-approved devices are installed.
  5. That all safety signs and decals are properly installed and legible.
- e. This is a one person machine, operator only! Riders are not permitted under any circumstance!
- f. To start the engine on the machine:

1. Make sure the park brake is set to the “ON” position, both lap bars are in the neutral/start position, and the Power Take Off (PTO also referred to as blade control switch) is in the “off” (down) position.
2. Move the choke and the engine speed control (throttle) forward to the end of the slot.
3. Insert the ignition key, turn the switch toward the spring-loaded “Start” position, maintain the Start position until the engine begins to run, then release the switch (it will return to the “Run” position).
4. Move the choke/speed control slowly by moving it rearward. If the engine is “cold”, the choke may need to be partially applied for a few minutes. Be sure to move the choke/throttle after the engine has “warmed up” to the detent.
- g. Check safety devices:
  1. With the park brake engaged, try to move one of the lap bars (speed/directional control) from the neutral/start position, it should not move.
  2. Repeat this procedure with the opposite side lap bars.
  3. With the park brake engaged and the lap bars in the neutral/start position, advance the engine speed control completely forward (Hi-idle), engage the PTO control switch (pull upward), then lift off the seat — the engine should stop running. Sit down and the engine should run. Turn off the PTO by pushing the control switch down.
- h. To drive in the FORWARD direction:
  1. Set the engine speed to 2000 to 2500 rpm (refer to optional tachometer on right control panel). This must be increased to full speed (3525-3675 rpm) after becoming familiar with the machine.
  2. Release the park brake.
  3. Slowly, move both lap bars toward the front of the machine until the machine begins to move forward — release the lap bars and the machine should stop. The more that the lap bars are moved toward the front of the machine, the faster the machine will move in the forward direction. Release the lap bars and the machine should stop traveling forward. (This is a safety check, the normal procedure is for the operator to slowly bring the lap bars to the neutral position).
  4. Do not advance the lap bars rapidly as this could cause turf defacement, loss of traction, and/or instability.
  5. To turn, advance one lap bar ahead of the other and the machine will turn toward the opposite from the side that was advanced — I.E. to turn clockwise (to the Right), move the LEFT lap bar forward more than the right side, and to turn counter-clockwise (to the LEFT), move the RIGHT lap

bar forward more than the left side. NOTE: If one lap bar is in the neutral position and the other is advanced, the turn side tire will not rotate and a “pivot turn” will be executed — turf defacement could occur (if on grass) as well as potential damages to the traction surface and the tire. If the lap bar on the turn side is not brought all the way to neutral, then the turn side tire will continue to rotate and a “U-turn” will be executed with a low potential for turf defacement as well as traction surface and tire damage.

- i. To drive in the REVERSE direction:
  1. Make sure no bystanders, animals, or objects are behind the machine. Look behind the machine, and use extreme care.
  2. Slowly, move both lap bars toward the rear of the machine until the machine begins to move rearward. Release the lap bars and the machine should stop. The more the lap bars are moved toward the rear of the machine, the faster the machine will move in the reverse direction. Release the lap bars and the machine should stop traveling in reverse (this is a safety check, the normal procedure is for the operator to slowly bring the lap bars to the neutral position).
  3. Do not move the lap bars rapidly as this could cause turf defacement and/or loss of traction.
  4. To turn, move one lap bar ahead of the other and the machine will turn toward the same side that was moved — I.E., to turn counter-clockwise (to the LEFT), move the LEFT lap bar rearward more than the right side, and to turn clockwise (to the RIGHT), move the RIGHT lap bar rearward more than the left side. NOTE: If one lap bar is in the neutral position and the other is moved, the turn side tire will not rotate and a “pivot turn” will be executed. Turf defacement could occur (if on grass) as well as potential damages to the traction surface and the tire. If the lap bar on the turn side is not brought all the way to neutral, then the turn side tire will continue to rotate and a “U-turn” will be executed with a low potential for turf defacement as well as traction surface and tire damage.
- j. To perform a “zero turn”:
  1. Please note, a zero turn maneuver can not be executed while the machine is moving in the forward or, reverse directions, the machine must come to a stop first.
  2. To turn clockwise, slowly move the LEFT lap bar forward while simultaneously moving the RIGHT lap bar rearward. Release both lap bars and the machine should stop turning.

3. To turn counter-clockwise, slowly move the RIGHT lap bar forward while simultaneously moving the LEFT lap bar rearward. Release both lap bars and the machine should stop turning (this is a safety check, the normal procedure is for the operator to slowly bring the lap bars to the neutral position).

**Note: If low traction conditions occur, follow these procedures for “zero turns”:**

To turn clockwise (front of machine moves toward RIGHT) when traveling FORWARD:

1. Come to a stop,
2. Then slowly move both lap bars rearward (no more than 1/2 maximum reverse speed) to initiate REVERSE travel,
3. Then slowly move the LEFT lap bar forward while maintaining the RIGHT lap bar in the rearward travel position.
4. To stop the turn and reintiate FORWARD travel, slowly move the RIGHT lap bar from the REVERSE travel position to a FORWARD travel position equal to that of the LEFT lap bar.
5. Alternatively, release both lap bars and the machine should stop turning, (this is a safety check, the normal procedure is for the operator to slowly bring the lap bars to the Neutral position).

To turn counter-clockwise (front of machine moves toward LEFT) when traveling FORWARD:

1. Come to a stop,
2. Then slowly move both lap bars rearward (no more than 1/2 maximum reverse speed) to initiate REVERSE travel,
3. Then slowly move the RIGHT lap bar forward while maintaining the LEFT lap bar in the rearward travel position.
4. To stop the turn and reintiate FORWARD travel, slowly move the LEFT lap bar from the REVERSE travel position to a FORWARD travel position equal to that of the RIGHT lap bar.
5. Alternatively, release both lap bars and the machine should stop turning, (this is a safety check, the normal procedure is for the operator to slowly bring the lap bars to the Neutral position).

**3. Start the Engine:**

- a. Open the fuel shutoff valve.
- b. Sit on the Seat. Set the parking brake “On”.
- c. Move the left and right steering levers to the neutral position.
- d. Turn the electric blade clutch switch “Off”.
- e. Push the choke/throttle control to the full forward position.
- f. Insert the key in the ignition and start switch and turn the switch to “On”.
- g. Turn the ignition key in a clockwise direction to the “Start” position until the engine starts.

**Note: Do not hold the key in the “Start” position for more than 10 seconds or you may damage the starter. If the engine does not start in this time, wait about 30 seconds and try again.**

- h. Gasoline Engine: Once the engine starts, move the choke/throttle to the detent as the engine warms.
4. **Operating the Mower:** Operating a zero-turning-radius mower is not like operating a tractor-type riding mower. The zero-turning-radius mower is much more maneuverable and much less fatiguing to operate. However, getting used to the fingertip control of the zero-turning-radius mower takes some practice. We strongly recommend that you locate a “test area” where you can operate the mower for about 30 minutes without being disturbed.
- a. Get into the operator’s seat.
  - b. Start the engine.
  - c. Use the deck lift pedal to raise the mowing deck to the transport position. Make sure the blade clutch switch is off.
  - d. After the engine has warmed, adjust the throttle to the fast position.
  - e. Release the parking brake.
  - f. Fold in the steering levers to the operating position.
- b. Use the Deck Lift pedal to raise the mowing deck to the transport position.
  - c. Drive the mower to the cleanup or storage area.
  - d. Move the throttle to slow.
  - e. Place the steering levers in the neutral position.
  - f. Set the parking brake.
  - g. Turn off the ignition switch and take the key from the switch.
  - h. Close the fuel shutoff valves.
  - i. Never park near open flames or ignition sources.

## I. Mower Cutting Blades

The blades normally “factory installed” on a mower afford the best grass cutting performance on the majority of grasses and mowing conditions; however, there will be occasions whereby the grass type, stage of grass growth, soil conditions, and weather conditions will require different cutting blade types. Since the mower decks are designed so that over-lap of the cutting blades generally exceed 1.5”, there is no need for orientation of one cutting blade to an adjacent blade (I.E., the blades do not need to be “timed” nor synchronized).

**Hi-lift-** These are generally the best cutting blades for most grasses and mowing conditions. These blades will provide extra “lift” for the thinner leaf grasses, will handle lush grasses, and will provide maximum grass and debris discharge. These blades are generally required for material collection systems. More horsepower is required for these blades when compared to others, and they generally produce the highest noise levels.

**Medium-lift-** These blades require less horsepower than the hi-lift, and they generally work well in wider leaf grasses and some mulch applications.

**Low-lift-** These blades require less horsepower than hi-lift and medium-lift blades, and they generally work best with wide leaf grasses, sparse grass growth, and sandy soil conditions. They generally produce the lowest noise levels. Bahia blades are configured without offset, and with a maximum amount of sharpened cutting edge.

**Mulch-** These blades are generally designed for use in cutting decks equipped with mulch baffles. The shape of the blade generally produces higher turbulence in order that the grass can be repeatedly cut and re-cut into smaller pieces. These blades generally require more horsepower than other blades. Mulch blades work best when the grasses are cut at the highest levels, minimal lengths of grasses are removed, and grass conditions are generally dry.

### **WARNING:**

**When operating this mower forward, do not allow the steering levers to return to the neutral position on their own. Always maintain a firm grip on the steering levers, operate them smoothly and avoid any sudden movements of the levers when starting or stopping.**

- g. To go forward, move both steering levers slightly forward and the mower will slowly move forward. The farther you move the levers forward the faster the mower will go forward.
  - h. To back up, move both steering levers slightly backward and the mower will slowly move backward. The farther you move the levers backward the faster the mower will go backward.
  - i. To turn, pull the lever back on the side to which you want to turn. The farther back you pull the lever, the faster and more sharply you will turn. Initially, you will have to be careful to avoid turning too fast and too far.
  - j. After you have mastered operating the mower, use the transport lever to lower the mowing deck to the cutting position and pull on the electric blade clutch switch to start the blades rotating.
  - k. Practice mowing in straight passes. When you feel confident, slowly practice mowing around obstacles such as trees.
5. **Parking the Mower:**
- a. Push off the electric blade clutch switch.



# MAINTENANCE AND SERVICE

## **WARNING:**

Disconnect the spark plug wires or remove the key from the ignition to prevent the engine from accidentally starting before performing any maintenance on this mower.

### A. Cleaning your Deck

Use the Deck Wash System to rinse grass clippings from the deck's underside and prevent the buildup of corrosive chemicals. Complete the following steps **after** each mowing:

**IMPORTANT:** Make certain the machine's discharge chute is directed **away** from people, children, animals, and your house, garage, parked cars, etc.

- a. Drive the machine to a level, clear spot on your lawn, near enough to a water faucet (spigot) for your garden hose to reach.
- b. Make sure that the PTO (mower deck blade engage) control is in the "OFF" position.
- c. Move shift lever or speed control into the "Neutral" position.
- d. Set the parking brake, and turn the ignition key to the "STOP" position to stop the engine.
- e. Thread hose coupler (packaged with this manual) onto the end of your garden hose. See Figure 6.
- f. Attach the hose coupler to the water port on your mower deck's surface. See Figure 6. Turn the water on.
- g. While sitting in the machine operator's position, re-start the engine and place throttle lever in the Fast (rabbit) position.
- h. Move the PTO control to the "ON" position.
- i. Remain in the machine operator's position, and with the mower deck engaged for a minimum of two minutes per wash out, start with the trim (operator's left) side, and allow the underside of the cutting deck to thoroughly rinse.
- j. Move the PTO control to the "OFF" position.
- k. Turn the engine off.
- l. Turn the water off, and detach the hose coupler from the water port on your mower deck.

- m. Clean up the grass clippings and other materials washed from underneath the mower deck, and dispose of them properly.

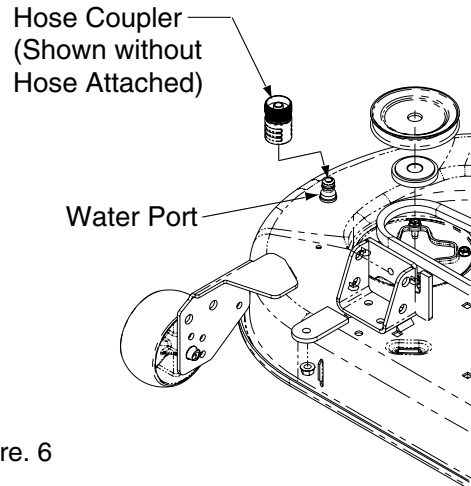


Figure. 6

### B. Mower Deck

#### 1. Removing the Mower Deck:

- a. Apply the parking brake. Remove ignition key and both spark plug caps.
- b. Lower the cutter deck to the lowest setting and capture the lift pedal by placing the height of cut clevis pin into the "Lock" hole.
- c. Remove tension of the PTO belt by moving the belt tensioning spring.

**Note:** There is a certain amount of spring tension due to the weight of the deck. When removing the lift linkage from the deck the tension of the springs will go from the deck to the deck lift pedal. Not capturing the deck lift pedal while removing the lift linkage from the deck will cause it to snap back.

- d. Detach the mower drive belt.
  - e. Remove the four hair pins from the right and left side of the mower. Shift the deck forward until the Trailing Link is free and you are able to remove the deck.
  - f. Turn front caster wheels outward.
  - g. To install reverse the process
- #### 2. Changing a Blade:
- a. Remove the key from the ignition and disconnect the spark plugs.
  - b. Jack up the front of the mowing deck about one foot and block it in that position.
  - c. Wrap a rag around one end of the blade and grasp it to prevent it from turning, or secure the blade by placing a block of wood between the blade and the deck housing.
  - d. Use a 1-1/8" socket wrench on the pulley side of the spindle bolt.
  - e. Remove the hex nut at the blade using a 1-1/8" wrench.

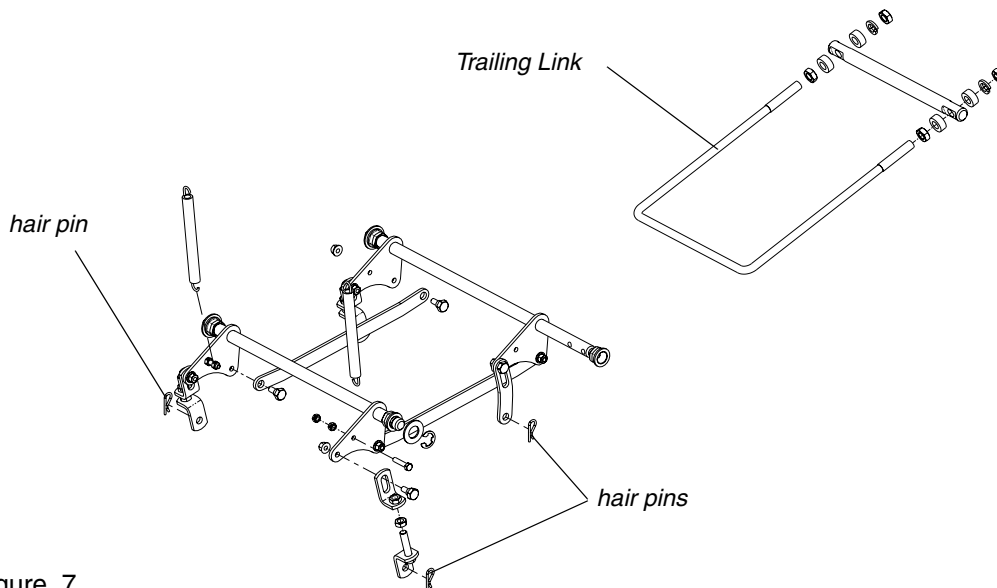


Figure. 7

- f. Remove the blade.
- g. To replace the blade reverse the above process and tighten nut to 100-120 lb ft.

**Note:** Add a small amount of multi-purpose grease to the bolt threads to avoid corrosion and galvanic action

**! WARNING:**

Never mow with dull blades! Blades that are bent should be replaced! The cutting blades are sharp and can cause severe injury. Wrap the cutting surface of the blade with a rag to avoid injury.

**3. Sharpening the Blade:**

- a. Set the parking brake.
- b. Clean any debris from the blades. Keep blades sharp and free of build up at all times.
- c. Sharpen blades evenly at the original 30° angle to maintain balanced cutting blades. Do not sharpen the underside of the blades. Use a electric blade sharpener, a conventional electric grinder or a hand file to sharpen the blades.
- d. Replace any blade with severe nicks or dents that cannot be removed by filing.
- e. Check the balance of the blade after sharpening by placing it on a blade balancer. Do not use un-balanced blades.
- f. If the blade dips on one end, file stock off of the cutting surface on that end.

**Note:** Blades that cannot be easily balanced—REPLACE.

**4. Changing the Blade Drive Belts:**

- a. Set the parking brake. Remove ignition key and both spark plug caps.

- b. Unscrew the nuts from the deck covers and remove both covers.
- c. Using a 1/2" socket breaker bar or socket ratchet insert the drive end into the 1/2" square opening in the lower idler arm assembly and push the idler arm counter-clockwise. While holding the idler arm back, loosen the blade drive belt from the pulley and slide the belt away from the pulley.
- d. Remove tension of the PTO belt by moving the belt tensioning rod. Loosen the belt retaining bolt.
- e. Pull the tensioner pulley away from the belt and remove the PTO belt then remove the blade drive belt.
- f. Reverse the process to install the belt.

**Note:** When replacing belts do not over-tighten. Adjust the idler pulley so that a ten-pound pull with a spring scale between two pulleys deflects the belt about 1/2".

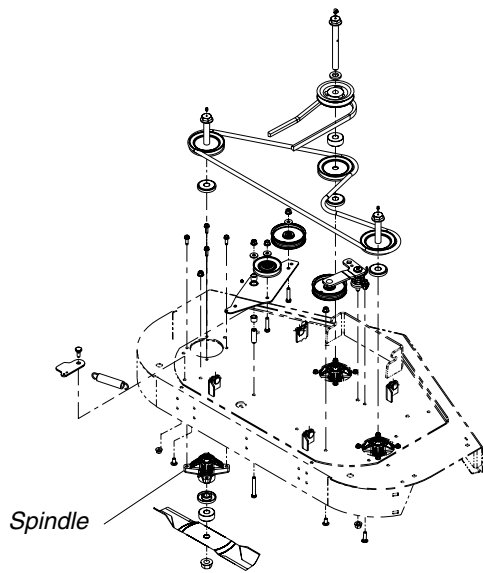


Figure 8

### 5. Changing the Spindle Assembly

- a. Jack up the front of the mowing deck about one foot and block it in that position.
- b. Make sure the blade clutch is disengaged.
- c. Remove the deck cover.
- d. Remove the drive belts. (See 4. Changing Blade Drive Belts.)
- e. Remove the cutter blade. (See 2. Changing a Blade.)
- f. Using a wrench or socket ratchet remove four hex nuts, and the four hex head cap screws. Remove the spindle assembly.
- g. Reverse the process to install the spindle assembly.

## C. Hydrostatic Drive System

1. Your zero turn riding mower is equipped with dual integrated hydrostatic pumps, motors, and gear reduction transaxles. The fluid level in the expansion tank must be maintained at 1/2" to 1" above the bottom of the tank. See Figure 9.

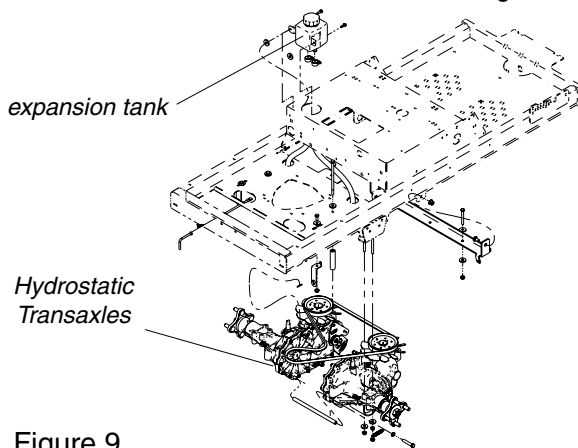


Figure 9

**Note:** See Maintenance Schedule, Section E, page 23.

## D. Electrical Circuit

**! Danger:**

Read General Safety Precautions Nos. 9 and 10.

1. **Battery:** The battery is located beneath the operator's seat. If so equipped, remove the fillcaps and check the level of the liquid electrolyte in the battery every 50 operating hours. If the level in any of the six cells has dropped below the bottom of the split ring inside the fill hole, refill the cell with distilled water. To keep the outside of the battery clean, brush on a strong solution of bicarbonate of soda and water and rinse with clean water. Keep the contacts and cable ends clean with a wire brush and make sure the connections are tight. Coat the terminals with petroleum jelly to prevent corrosion.

### 2. Battery Removal

**! Warning:**

**When removing the cables from the battery follow these steps to avoid a short between the wrench and the frame.**

- a. Remove the negative (black) cable.
- b. Remove the positive (red) cable.
- c. Release the hold down straps.
- d. Remove the battery without tipping.
3. **Battery Storage:** When storing the mower for long periods of time the following guidelines should be performed.
  - a. Disconnect the battery cables from the terminals and remove the battery.
  - b. Clean the battery before storing. A dirty battery will lose its charge over time.
  - c. Store the battery with a full charge. A discharged battery will freeze (refer to the table below).

| Specific Gravity | Freezing Temp (°F) |
|------------------|--------------------|
| 1.265            | -71                |
| 1.250            | -62                |
| 1.200            | -16                |
| 1.150            | 5                  |
| 1.100            | 16                 |

- d. Recharge battery when ever the specific gravity value is less than 1.225

### 4. Installing the Battery

**Note:** The battery is delivered from the factory fully charged and filled with electrolyte.

- a. Attach the positive (red) cable.
- b. Attach the negative (black) cable.
- c. Attach the rubber battery strap.

## 5. Jump Starting



### Warning:

**Failure to use this starting procedure can cause sparking, and the gases in the battery to explode.**

- a. Attach the end of the red jumper cable to the positive terminal (+) of the charged battery.
  - b. Attach the other end of the red jumper cable to the positive terminal (+) of the low charge battery.
  - c. Attach the end of the black jumper cable to the negative terminal of the charged battery.
  - d. Attach the other end of the black jumper cable to the frame of the unit with the low charge battery.
6. **Fuses:** There is one fuse located in the wiring between the battery and ignition start switch. This is a standard plug-in type automotive fuse rated at 20 amp.
7. **Safety Switches:** There are three safety switches in the electrical circuit which control the engine. They are (1) the blade clutch switch, (2) the parking brake/lap bar switch, (3) the seat switch. They operate so that in order to start the engine, the blade clutch switch must be off, the parking brake must be engaged, and both steering levers must be in the neutral position. Once the engine is started, the seat must be occupied and the parking brake must be released before either of the steering levers can be moved. Also, the seat must be occupied before the blade clutch switch can cause the blades to rotate.
8. **Safety Switch Operation Checks:** The following operational checks should be made daily.
- a. **Blade Clutch Switch:** Sit in the operator's seat. With both steering levers in the neutral position and the parking brake engaged, turn the blade clutch switch "on" and try to start the engine. The engine should not start. If it does, the blade clutch switch must be replaced. If the engine does not start, turn the blade clutch switch "off" and start the engine. Now turn the blade clutch switch "on" and the blades should rotate. If the blades do not turn, the blade clutch switch must be replaced, the seat switch must be replaced or the electric PTO clutch must be repaired. The air-gap should be checked every 100 hrs. (or less, if severe operating conditions exist such as when there are many on/off cycles, mulching operations, material collection systems used, and dusty/dirty conditions), and the air-gap adjusted if more than 0.025". To inspect, remove the "negative" cable from the battery

and all sparkplug wires. The air-gap should be checked with feeler gages in the three slots of the BBC (PTO Clutch). The air-gap should be adjusted to 0.012" to 0.015". There are three inspection slots in the brake cover. To adjust, successively tighten each of the three gap adjustment nuts an equal amount. Insert a feeler gage (0.012" to 0.015") into each slot as the air gap adjustment nut are tightened. The correct adjustment occurs when slight contact with the feeler gage occurs. Engage the BBC (PTO Clutch) a couple of times, and re-check the air-gap. If it is not between 0.012" and 0.015", repeat the adjustment procedure.

- b. **Parking Brake Switch:** Sit in the operator's seat. With both steering levers in the neutral position and the blade clutch switch "off", release the parking brake and try to start the engine. The engine should not start. If it does, the parking brake switch must be repositioned or perhaps replaced. If the engine does not start, engage the parking brake and start the engine. Swing one steering lever up to the operating position and the engine should stop. If the engine does not stop, the parking brake switch must be repositioned or replaced.
- c. **Seat Switch:** With both steering levers opened-out to the neutral position, the parking brake engaged and the blade clutch switch in the "off" position, start the engine. Now release the parking brake, hold down on the back of the operator's seat against spring pressure, and swing one of the steering levers up to the operating position. Release the operator's seat and the engine should stop. If the engine does not stop, the seat switch must be replaced. With both steering levers folded out in the neutral position, the parking brake engaged and the blade clutch switch in the "off" position, sit in the operator's seat and start the engine. Turn the blade clutch switch to the "on" position and the blades should start to rotate. Raise up slightly off the operator's seat and the blades should stop. If the blades do not stop when you dismount from the operator's seat, the seat switch must be replaced.
- d. **Electric PTO Clutch:** This clutch operates when the engine is running, the operator is in the operator's seat and the blade clutch switch is turned on. This electric clutch is a fairly trouble free device. If a problem develops and the blades do not turn, first check the 20 amp fuse in the yellow, 16-gauge wire between terminal "L" on the ignition switch and the hour meter and then investigate the wiring harness and the connections to the

seat switch, the blade clutch switch and the electric blade clutch. Then check the seat switch, the blade clutch switch and finally the electric blade clutch.

## E. Tires

The two front wheels are caster wheels that are free to swivel to accommodate the direction of the mower.

The two rear wheels are used to propel the mower in the direction of input from the drive handles. Inflation pressure of the rear tires is important for stability while the mower is in operation. If the tire diameter is not equal between the two tires, the mower will pull to one side.

### 1. Inflation Pressure:

- Traction Tires—20 psi max; 8-10 psi recommended
- Front Caster Wheel—28 psi max; 20-25 psi recommended
- Cutting Deck Ball Wheels—Solid Polyurethane.

Use the Following guidelines for maintaining the tires:

- Balance inflation pressure between the rear tires to help maintain straight travel (see tire side wall for proper inflation pressure).
  - Keep the valve caps tightened to prevent air pressure loss.
2. **Leaking Tires:** When a flat tire occurs, repair or replace immediately. The normal procedure is to remove the wheel and replace it. If a tire is getting soft, park the mower on the nearest level, paved area. If the leaking tire is on a traction wheel, put blocks on each side of the opposite traction wheel and jack up the tire that leaks about an inch off the ground. Loosen and remove the lug nuts and remove the wheel. Mount a wheel and tire, replace the lug nuts, and using a torque wrench, tighten them to  $60 \pm 10$  ft-lbs.

If the leaking tire is on a front caster wheel, block both traction wheels and raise the caster wheel so that the tire is an inch off the ground. Loosen and remove the locknut from the axle assembly and pull the axle assembly from the caster yoke. The wheel and two spacer sleeves will drop free. Slip the axle assembly through one side of the caster yoke, through a spacer sleeve, a wheel, the other spacer sleeve and finally through the other side of the caster yoke. Then tighten the locknut on the end of the axle assembly.

Lower the mower off the jack and continue mowing. The wheel with the leaking tire should be inflated to 20 psi and the wheel placed in a large bucket of water. Carefully inspect the tire, rim and valve for escaping air bubbles which indicate a leak. Mark each leak with a yellow marking crayon and then deflate the tire to 8 psi

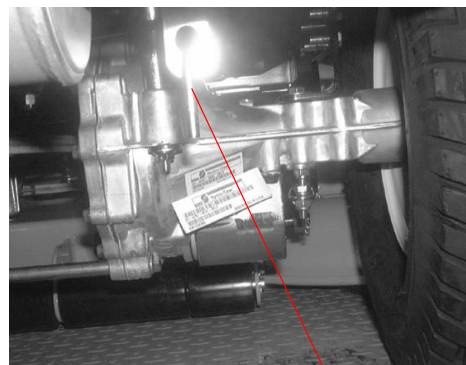
and repeat the inspection. If the leaks you find are pin hole size to 1/16" diameter, the tire can be repaired. If the leaks are larger than 1/16" diameter, the tire can be repaired. If the tire bead is damaged, the tire can be repaired or the tire will have to be replaced.

3. **Creeping:** Creeping is the slight forward or backward movement of the mower when the throttle is on and the lapbars are in the opened-out position. If your mower creeps do the following.
- Jack up rear of unit.
  - Place Lapbars in the neutral position.
  - If the tires are rotating, the neutral position that side transaxle linkage will need to be adjusted. Contact your service representative.

## F. Brakes

While the mower is in motion, all braking is performed dynamically through the hydraulic pumps and traction motors, controlled by the two steering levers. When the mower is parked with the engine shut off, the hydraulic system locks the traction wheels.

**Note:** To move the mower forward or in reverse by pushing, you must release the dynamic braking. Locate the release levers at the rear of the machine. Pull them toward the rear and lower the wide area of the rod into the key-hole slot. (See photo below).



*Hydro Release Valve*

When the mower is parked with the engine running and the steering levers in the neutral position, the parking brakes should be applied. The parking brakes are internal gear/pawl brakes mounted in each transaxle. They are both engaged by the same operating lever.

1. **Adjustments:** The parking brake handle is an over-center lever in a slot that should engage with moderate force. The parking brakes provide a positive means to hold a machine stationary that is similar to "Park" on an automobile.

**Note:** The parking brakes normally do not need to be adjusted.

To adjust either brake individually, loosen the jam nuts

on the cable near the brake arm on the transaxle. If the brake is not holding, adjust the nuts so that the brake cable housing moves away from the lever.

2. **Repair:** The mower is equipped with internal gear/pawl brakes and will not normally require maintenance. If they are not working properly, please contact your service center.

## G. Hydraulic System

1. **Hydrostatic Pumps and Motors:** The pumps in the transaxles are the hardest-working components in the hydraulic system. They are in operation all the time the engine is running. Because of extremely close tolerances, wear is an important factor in their life.

**Note:** The pumps and motors are not owner-repairable. If a pump fails, contact your Cub Cadet dealer. Do not disassemble the pump/motors. For proper maintenance refer to the Maintenance Schedule, Section E, page 23.

2. **Steering Lever Adjustments:** Place the mower on level ground with the engine running, parking brake off and steering levers in neutral position. If the mower begins to creep contact your service representative.

## H. Storage

1. **General:** If your mower will not be in service for a few months, it should be stored in a dry location that is not subject to drastic changes in temperature. Before storing, the following maintenance procedures should be performed.
  - a. Clean the mower. The entire tractor and cutting deck should be washed and cleaned.
  - b. Sharpen the blades so that the mower will be ready to use when needed.
  - c. Protect the metal surfaces. Repair scratches with the appropriate touch-up spray paint. Brush a rust preventive oil on any unpainted surfaces including the pulleys and blades. (Be careful not to get any oil on the drive belts.)
  - d. Lubricate the mower.
  - e. Drain the engine oil. The engine should be warm so that all the oil drains. Replace the engine oil filter and refill the crankcase with fresh oil.
  - f. Gasoline Engine: Drain all the fuel. Close the fuel tank shutoff valve. Disconnect the fuel line from the carburetor and put the end into an approved fuel container. Open the fuel tank shutoff valve and drain the fuel tank and line into the approved container. Replace the fuel line on the carbure-

tor. Start the engine and allow it to run out of fuel. This will prevent gum and varnish deposits from forming. Replace the fuel filter.

- g. Gasoline Engine Only: Remove the spark plugs and pour approximately one ounce of oil into each cylinder. Crank the engine one or two turns to spread the oil evenly on the cylinder walls. Replace the spark plugs.
  - h. Clean the battery and make sure it is fully charged.
  - i. Jack the mower up and store it on blocks to take the weight off of the tires.
2. **To Put the Mower Back in Service:**
    - a. Check the battery. Charge if necessary.
    - b. Gasoline Engine Only: Remove the spark plugs and wipe them off. Using the starter, crank the engine to pump the excess oil out of the spark plug holes. Replace the spark plugs and the ignition leads. Refill the fuel tank with fresh gasoline.
    - c. Check the level of the oil in the crankcase and the hydraulic tank.
    - d. Lower the mower off the block and check the tire pressure.
    - e. Push the mower outdoors and start the engine. Let the engine idle until it has warmed up completely (4 to 5 minutes).

# MAINTENANCE SCHEDULE

## A. Daily Checks

1. **Before starting engine:**
  - a. Check the fuel level by viewing in the tank.
  - b. Check the engine oil level.\*\*
  - c. Check the hydraulic transaxels for leaks.
  - d. Check the tires and tire pressure.  
Drive Tires: 8-10 psi.  
Front Caster Wheels: 20-25 psi.
  - e. Check the spindle belt, the mower drive belt and the hydro drive belt.
  - f. Check the blades. Make sure they are sharp and that the blade securing cap screws are tight.
  - g. Check the cutting height.
2. **When ready to start the engine:**
  - a. Check the seven safety switches for proper operation.
3. **After mowing:**
  - a. Clean the mower.
  - b. Clean the engine air screen.
  - c. Lubricate the wear points. Follow the Lubrication Chart.
  - d. After the first five hours, change the engine oil and engine oil filter.

## B. Every 25 Hour Checks

1. Service the engine foam element air cleaner.\*
2. Grease the three spindle bearings.
3. Check fluid level in the transaxle expansion tank. The level should be maintained between 1/2" and 1" when "cold".

## C. Every 50 Hour Checks

1. Change the engine oil. (Every 25 hours under heavy duty operation.)
2. Clean or replace the engine's paper air cleaner element.\*
3. Check the battery's electrolyte level, if equipped with fill caps.
4. Clean the engine cooling fins and external surfaces.\*
5. Lubricate wear points. **Follow the Oil Chart.**

6. Lubricate all grease fittings. **Follow the Lubrication Chart.**

## D. Every 100 Hour Checks

1. Change the engine oil filter. (Every 50 hours under heavy duty operation.)
2. Check the engine spark plugs.
3. Check the air gap on the blade brake clutch (PTO Clutch) and if it exceeds 0.025" adjust to 0.012" - 0.015".

## E. Every 300 Hour Checks

1. Change the hydrostatic fluid in the transaxles.
2. Change the filter in the transaxles.

**\* Perform maintenance more frequently under dusty conditions.**

**\*\*Reference Engine Owner's Manual**

| <b>OIL CHART</b>  |  |
|---|--|
| Apply a few drops of SAE 15W-40 engine oil, grease, or use a spray lubricant. Apply the oil to both sides of pivot points. Wipe off any excess. Start engine and operate mower briefly to insure that oil spreads evenly. |  |
| <i>Number of Oil Points</i>   | <i>Description</i>   |
| <b>DAILY</b>  |  |
| 4   | Deck Suspension Pivots   |
| 4   | Height Adjustment Turnbuckle Clevis Pin                                |
| 2   | Height Adjustment Handle Pivots  |
| 2   | Height Adjustment Stop Pivots  |
| 2   | Deck Lift Linkage Pivots   |
| 2   | Transport Handle Pivots  |
| 1   | Transport Handle Pin   |
| 2   | Deck Frame Up-and-Down Pivots  |
| <b>WEEKLY</b>   |  |
| 1   | Seat Hinge   |
| 2   | Steering Lever Linkage Rod End Bearings                                |
| 2   | Lever Return Assembly Rod End Bearings                                 |
| 2   | Pump Control Lever Pivots  |
| 2   | Grass Collection System Lid Hinges<br><b>(If Mower is so equipped)</b> |

| <b>LUBRICATION CHART</b>                               |                             |
|--|-----------------------------|
| Use a grease-gun filled with NO. 2 Multipurpose Grease |                             |
| <i>No. of Grease Fittings</i>                          | <i>Description</i>          |
| <b>EVERY 25 HOURS</b>                                  |                             |
| 3  | Blade Spindle Bearings      |
| <b>WEEKLY</b>  |                             |
| 2  | Front Caster Wheels         |
| 2  | Front Caster Wheel Spindles |
| 4  | Mowing Deck Pivots          |
| 2  | Deck Take-Up Idler Pivots   |
| 2  | Mower Deck Ball Wheels      |

**Engine oil:** Rimula 15W40 recommended or 10W40 engine oil rated SJ or higher.

**Hydrostatic Fluid:** Rimula 15W40 recommended. To fill the expansion tank to proper level, about 1" above the tank bottom where "cold". If the filter and fluid are removed, a new filter should be used and the transaxle filled via the expansion tank with Rimula 15W40.

**Spindle Lubricant:** Use only Shell Alvania RL 2 grease. This grease is an amber-colored grease designed for high speed bearing applications. It has a base oil viscosity that reduces running losses, has been formulated for low noise, has excellent corrosion protection, and has excellent bearing lubrication.

**General Purpose Lubricant:** Use any NLGI grade 2 multi-purpose grease. Shell Albida EP2 is recommended. Shell Albida EP 2 is a red-colored multi-purpose grease designed for heavy-duty bearing applications. It has high base oil viscosity for mechanical stability, has been formulated for high load, low-speed applications, and has excellent lubrication and corrosion protection.



# Performance Adjustments

## A. High Speed Tracking Adjustment

If mower tracks to one side with both lap bars in fully forward position:

1. Check air pressure in all four tires:
  - a. Pressure should be within specified ranges and balanced side-to-side.
  - b. Rear tires 8-10 psi recommended (20 psi MAX.)
  - c. Front tires 20-25 psi recommended (28 psi MAX.)
2. Verify that the mower does not creep when the engine is running, the lap bars are in the neutral position and the parking brake is released. (Refer to section E-3 on page 21 of this manual if this condition exists).
3. Recheck the tracking after any adjustments based on the above.
4. If uneven tracking persists, adjust as follows. (see Fig. 10)
  - a. Unit tracks to the RIGHT, adjust Left lap bar stop bolt to make it longer.
  - b. Unit tracks to the LEFT, adjust Right lap bar stop bolt to make it longer.
5. Re-check the tracking and make any fine tuning adjustments to the lap bar stop bolts as required.

**Note:** If stop bolt is adjusted too far, tracking problem will change sides. Make the fine tuning adjustments by shortening the same bolt.

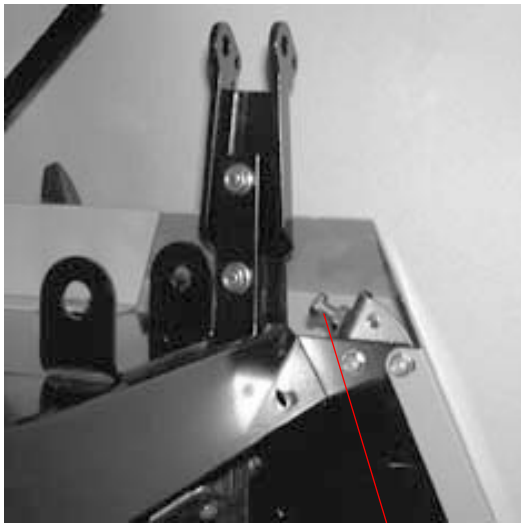


Figure. 10

Lap Bar Stop Bolt

## B. Engine RPM Check and Adjustment

Table 1

| Description       | High RPM Spec. | Low RPM Spec. |
|-------------------|----------------|---------------|
| 20, 22, 23 Kohler | 3400 +/-75     | 1550 +/-100   |

**NOTE:** RPM Specs. are for free running engines under no load.

1. Verify that the lap bars are in the neutral position, the parking brake is on, and the PTO drive is disengaged.
2. Start the mower and let it run at approximately half throttle for 3-5 minutes to bring the engine up to operating temperature.
3. Locate the (optional) Hour Meter/Tachometer/Service Minder display on the right hand operator control panel if so equipped, or use a hand-held tachometer. (see Fig.1 on page 10 of the manual) This display defaults to the tachometer mode when engine is running.
4. Move the throttle lever to the high speed position and note the RPM reading on the display.
5. Move the throttle lever back to the low speed position and again note the displayed RPM's.
6. Compare these noted RPM readings to the specifications in Table 1, for the engine that is on your mower.
7. If the readings do not correspond to the ranges in the table, refer to the engine owner's manual for the proper adjustment procedures.
8. If adjustments per the engine operator's manual do not result in proper RPM readings, contact your service technician.
9. Note: The throttle cable sheath may shrink or slip over time, changing the relationship between the throttle lever on the left hand operator control panel and the throttle arm on the engine. To readjust the throttle cable:
  - a. Make sure the engine is off, place lap bars in the neutral position, set the parking brake, and disconnect and ground both of the spark plug wires.
  - b. Locate and loosen the cable clamp on the engine throttle plate.
  - c. Place the operator's throttle lever to the high speed position and then slide the cable through the clamp until the throttle arm is in the full throttle position. (ref. engine owner's manual)
  - d. Tighten the cable clamp.
  - e. Move the operator's throttle lever between high and low speed and verify that the engine throttle arm also moves through it's full range of motion.
  - f. Repeat as required to obtain proper throttle adjustment.
  - g. Verify proper throttle adjustment by checking RPM readings as outlined above.

### C. Deck Corner Ball Wheel Roller Settings

1. Matching the set heights of the ball rollers on the four corners of the mower deck to the desired cut height will prevent edge scalping and minimize any side-to-side variance in cut height.
2. There are five height adjustment holes in the bracket that mount the ball rollers to the deck.
  - a. Use the top set of holes for cut heights of 2 inches or lower.
  - b. Use the middle set of holes for a 2-1/2 - 3-1/2 inch cut height.
  - c. Use the bottom set of holes for cut heights of 4 inches.

### D. Deck Center Anti-Scalp Roller

1. The front roller helps prevent the scalping of high spots and uneven terrain across the center section of the deck.
2. The roller on the front of the deck is fixed at the factory and can not be adjusted.

### E. Lap Bar Adjustment

1. Proper lap bar and seat adjustment will result in the following:
  - a. In the neutral position with hands on the lap bars,
    1. Operator's upper arms should be relaxed and approximately vertical.
    2. Operator's forearms should be approximately horizontal.
  - b. In the full forward position,
    1. Operator's back should stay in contact with the seat back.
    2. Lap bars should not contact operator's legs.
  - c. In the full reverse position,
    1. Lap bars should not contact the operator's legs or torso.
2. Set the seat to the preferred operating position.
  - a. Adjustment lever is located under the front edge of the seat.
  - b. The seat has five inches of front-to-rear adjustment available.
3. Check factory settings of lap bars for the conditions listed above.

**Note:** If lap bar adjustments are required, height adjustments should be made prior to angular adjustments.

4. To adjust the height of the lap bars,
  - a. Remove the nuts from the lap bar mounting bolts (see Fig. 11 ).
  - b. Remove the bolts and lap bar and reposition to the second set of holes in the mounting block.

- c. Replace the bolts and nuts, and tighten to 28-34 ft-lbs.
  1. If angular adjustments are also required, nuts can be tightened until snug at this point.
- d. The same adjustments should be made to both sides of the mower.
5. To adjust the front-to-rear angle of the lap bars,
  - a. Loosen the nuts on the lap bar mounting bolts, leaving the bottom one fairly snug.
  - b. The top hole is slotted, allowing the lap bar to pivot on the bottom bolt.
  - c. Move lap bar to the desired angle and tighten the nuts to 28-34 ft-lbs.

**Note:** In the neutral position, the handles of the lap bars should be aligned with approximately a one inch gap between the tips. Widen the gap by adding shim washers to the top mounting bolt between the lap bar and the mounting block.

- d. Check the results of any adjustments to the conditions described in section a, above. Repeat any adjustment procedures as required until all conditions are met.

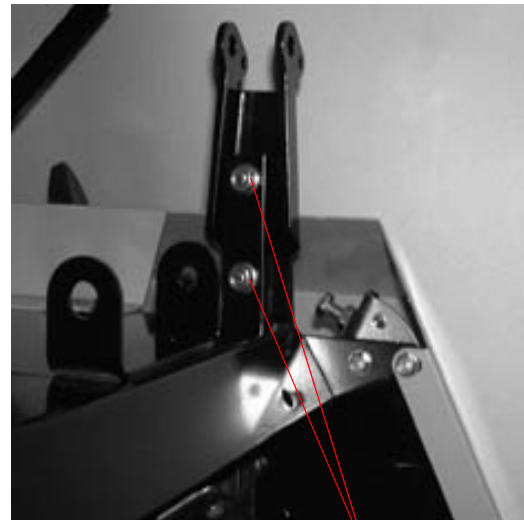


Figure. 11

*Lap Bar Mounting Bolt and Nuts*

## F. Deck leveling Procedure

1. Park the mower on a flat paved surface, engage the parking brake, shut off the engine, remove the key from the ignition switch, disconnect the spark plug wires and using the lift pedal, position the mowing deck into the 3" height of cut position. (The 3" height of cut position is recommended in order for one to see and obtain a measurement. Any height of cut position is acceptable as long as a proper measurement can be taken.)
2. Check the right and left front tire pressure. Adjust as necessary to 20-25 psi. Tire pressure can affect blade height by as much as a 1/4".
3. Check the right and left rear Drive tire pressure. Adjust as necessary to 8-10 psi.
4. Measure blade-to-ground height at the front tip of the right blade. To obtain an accurate measure, align blades in parallel with mower centerline, (i.e. front to back).
5. Measure blade-to-ground height at the front tip of the left blade. Be sure to measure at the blade tip with the blades arranged in proper position.
6. To level the deck (side to side), place the deck in the (3" suggested) cutting position. With a 3/4" wrench loosen the lower jam nut of the left side of the Lift Link. To adjust the side of the deck up or down turn the upper jam nut clockwise (to raise) or counter clockwise (to lower) a few turns.
7. Measure the blade-to-ground height at the right rear blade tip. Again be sure to measure at the blade tip at the rear of the right blade when aligned along the mower centerline. The blade-to-ground height at the rear of the blade tip should be 1/8" to 1/4" (1/8" for 1-1/2" and 1/16" for 1") higher than the front tip. This is referred to as blade pitch. The same height difference should be true for the left blade, measured front and back.
8. To change the pitch (front to rear), loosen the lower nuts on the rear Lift Links. With a few turns, adjust clockwise (to raise) or counter clockwise (to lower) the upper nuts of the rear Lift Links. Once the deck is adjusted, retighten lower nuts.
9. The final adjustment would be to set the Trailing Link by adjusting the jam nuts on the threaded link. Loosen the jam nuts and tighten the inner nut to achieve the correct length and belt tension. (see Fig. 12).
10. In many cases it will be necessary to adjust deck height using both eyebolt adjustments and pitch adjustment to achieve the correct blade-to-ground heights. If you remember that the front right blade tip adjustment is fixed and you level to that height, adjusting the decks will be simplified.

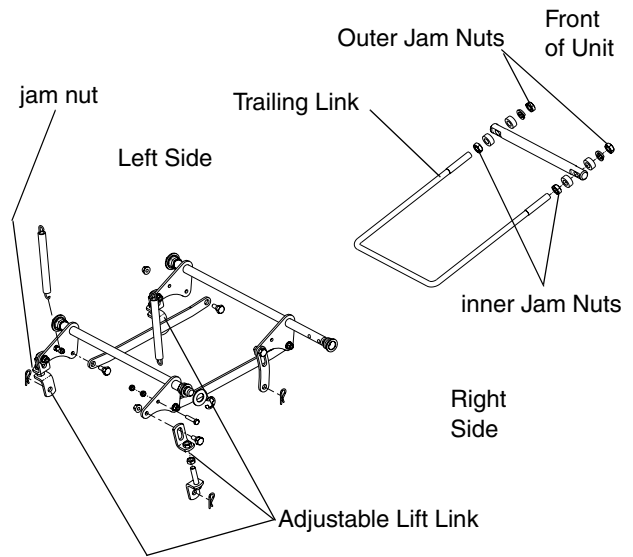
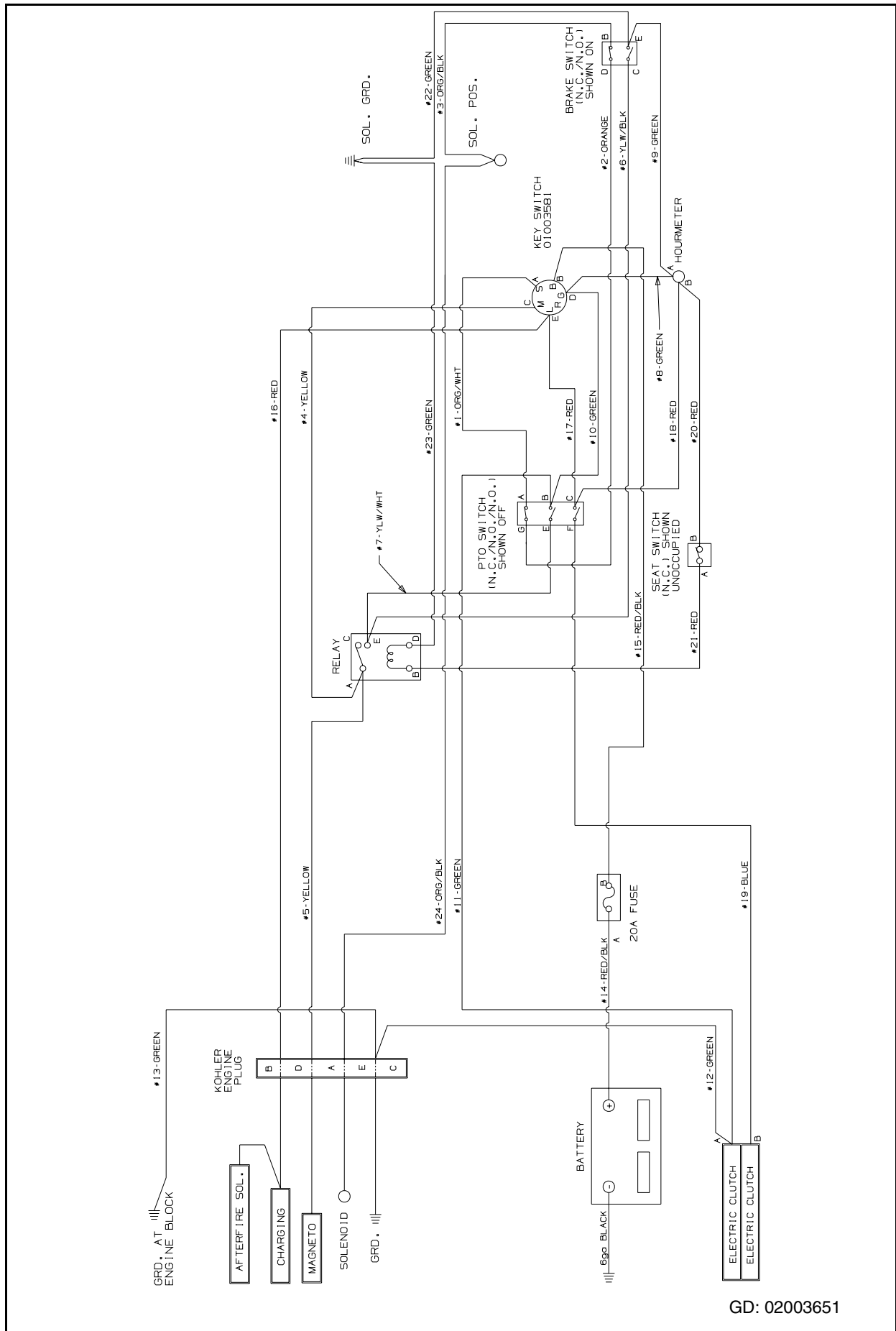


Figure. 12

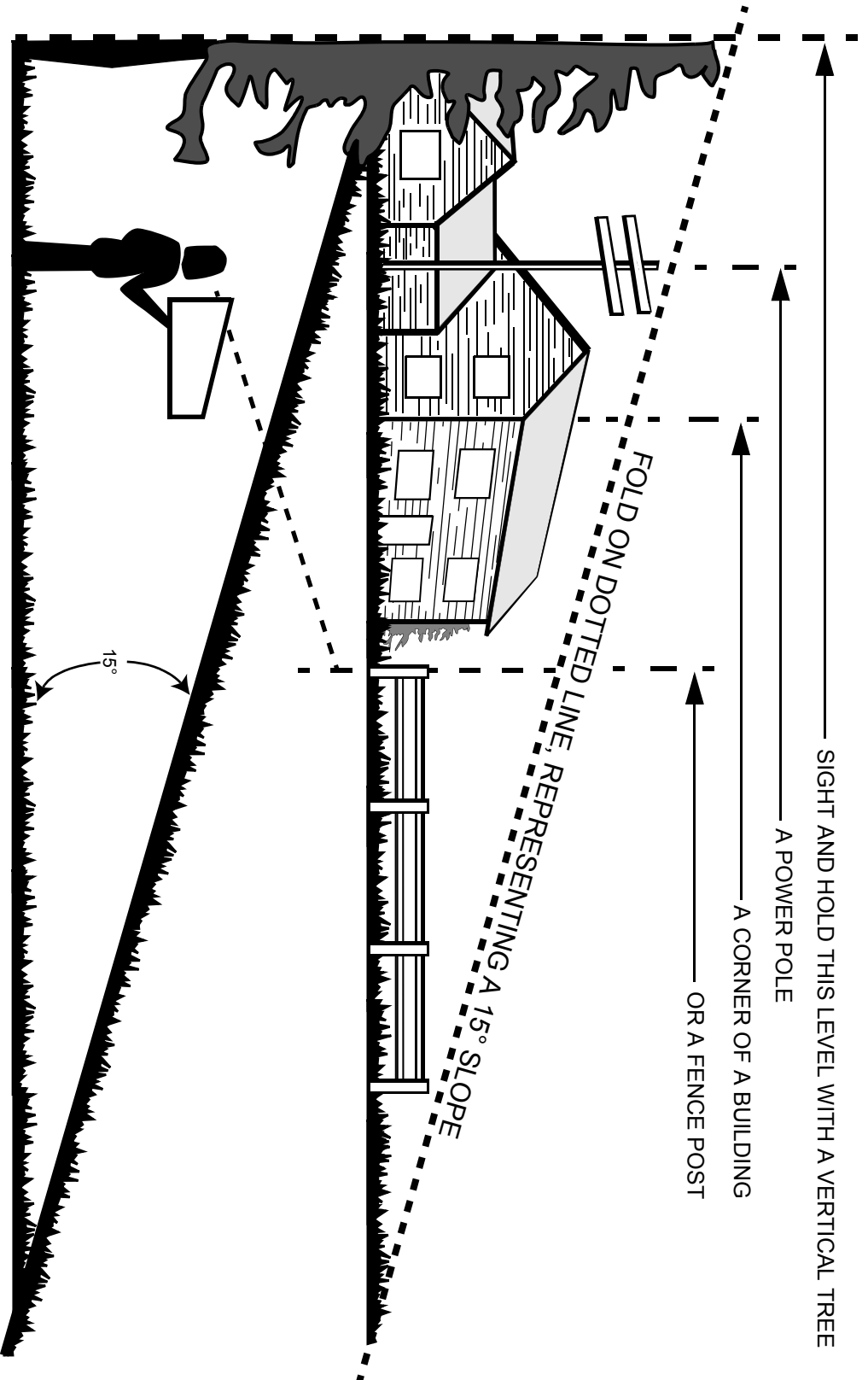
# WIRING DIAGRAM



GD: 02003651

# SLOPE GAUGE

USE THIS PAGE AS A GUIDE TO DETERMINE SLOPES WHERE YOU MAY NOT OPERATE SAFELY.



Do not mow on inclines with a slope in excess of 15 degrees (a rise of approximately 2-1/2 feet every 10 feet). A riding mower could overturn and cause serious injury. If operating a walk-behind mower on such a slope, it is extremely difficult to maintain your footing and you could slip, resulting in serious injury. Operate ZERO-TURN mowers across the face of slopes, never up and down slopes. Operate WALK-BEHIND mowers across the face of slopes, never up and down slopes.



**CALIFORNIA EMISSION CONTROL WARRANTY STATEMENT  
YOUR WARRANTY RIGHTS AND OBLIGATIONS**

The California Air Resources Board and MTD Consumer Group Inc are pleased to explain the evaporative emission control system warranty on your 2006 lawn mower. In California, new lawn mower must be designed, built and equipped to meet the State's stringent anti-smog standards. MTD Consumer Group Inc must warrant the EECS on your lawn mower for the period of time listed below provided there has been no abuse, neglect or improper maintenance of your lawn mower.

Your EECS may include parts such as the carburetor, fuel-injection system, the ignition system, catalytic converter, fuel tanks, fuel lines, fuel caps, valves, canisters, filters, vapor hoses, clamps, connectors, and other associated emission-related components.

**Where a warrantable condition exists, MTD Consumer Group Inc will repair your lawn mower at no cost to you including diagnosis, parts and labor.**

**MANUFACTURER'S WARRANTY COVERAGE:**

This evaporative emission control system is warranted for two years. If any evaporative emission-related part on your equipment is defective, the part will be repaired or replaced by MTD Consumer Group Inc.

**OWNER'S WARRANTY RESPONSIBILITIES:**

As the lawn mower owner, you are responsible for performance of the required maintenance listed in your owner's manual. MTD Consumer Group Inc recommends that you retain all receipts covering maintenance on your lawn mower, but MTD Consumer Group Inc cannot deny warranty solely for the lack of receipts.

As the lawn mower owner, you should however be aware that MTD Consumer Group Inc may deny you warranty coverage if your lawn mower or a part has failed due to abuse, neglect, or improper maintenance or unapproved modifications.

You are responsible for presenting your lawn mower to MTD Consumer Group Inc's distribution center or service center as soon as the problem exists. The warranty repairs should be completed in a reasonable amount of time, not to exceed 30 days. If you have a question regarding your warranty coverage, you should contact the MTD Consumer Group Inc Service Department at 1-800-800-7310.

**GENERAL EMISSIONS WARRANTY COVERAGE:**

MTD Consumer Group Inc warrants to the ultimate purchaser and each subsequent purchaser that the lawn mower is: Designed, built and equipped so as to conform with all applicable regulations; and free from defects in materials and workmanship that cause the failure of a warranted part to be identical in all material respects to that part as described in MTD Consumer Group Inc's application for certification.

The warranty period begins on the date the lawn mower is delivered to an ultimate purchaser or first placed into service. The warranty period is two years.

Subject to certain conditions and exclusions as stated below, the warranty on emission-related parts is as follows:

1. Any warranted part that is not scheduled for replacement as required maintenance in the written instructions supplied, is warranted for the warranty period stated above. If the part fails during the period of warranty coverage, the part will be repaired or replaced by MTD Consumer Group Inc according to subsection (4) below. Any such part repaired or replaced under warranty will be warranted for the remainder of the period.
2. Any warranted part that is scheduled only for regular inspection in the written instructions supplied is warranted for the warranty period stated above. Any such part repaired or replaced under warranty will be warranted for the remaining warranty period.
3. Any warranted part that is scheduled for replacement as required maintenance in the written instructions supplied is warranted for the period of time before the first scheduled replacement date for that part. If the part fails before the first scheduled replacement, the part will be repaired or replaced by MTD Consumer Group Inc according to subsection (4) below. Any such part repaired or replaced under warranty will be warranted for the remainder of the period prior to the first scheduled replacement point for the part.
4. Repair or replacement of any warranted part under the warranty provisions herein must be performed at a warranty station at no charge to the owner.
5. Notwithstanding the provisions herein, warranty services or repairs will be provided at all of our distribution centers that are franchised to service the subject engines or equipment.
6. The lawn mower owner will not be charged for diagnostic labor that is directly associated with diagnosis of a defective, emission-related warranted part, provided that such diagnostic work is performed at a warranty station.
7. MTD Consumer Group Inc is liable for damages to other engine or equipment components proximately caused by a failure under warranty of any warranted part.
8. Throughout the lawn mower warranty period stated above, MTD Consumer Group Inc will maintain a supply of warranted parts sufficient to meet the expected demand for such parts.
9. Any replacement part may be used in the performance of any warranty maintenance or repairs and must be provided without charge to the owner. Such use will not reduce the warranty obligations of MTD Consumer Group Inc.
10. Add-on or modified parts that are not exempted by the Air Resources Board may not be used. The use of any non-exempted add-on or modified parts by the ultimate purchaser will be grounds for disallowing a warranty claims. MTD Consumer Group Inc will not be liable to warrant failures of warranted parts caused by the use of a non-exempted add-on or modified part.

**WARRANTED PARTS:**

The repair or replacement of any warranted part otherwise eligible for warranty coverage may be excluded from such warranty coverage if MTD Consumer Group Inc demonstrates that the lawn mower has been abused, neglected, or improperly maintained, and that such abuse, neglect, or improper maintenance was the direct cause of the need for repair or replacement of the part. That notwithstanding, any adjustment of a component that has a factory installed, and properly operating, adjustment limiting device is still eligible for warranty coverage. The following emission warranty parts list are covered: Fuel Line, Fuel Line Clamps

# MANUFACTURER'S LIMITED WARRANTY FOR CUB CADET COMMERCIAL ENFORCER ZERO-TURN COMMERCIAL RIDING MOWER



**IMPORTANT:** To obtain warranty coverage owner may be required present proof of purchase and applicable maintenance records to the servicing dealer. Please see the operator's manual for information on required maintenance and service intervals. In addition, Cub Cadet may deny warranty coverage if the hour meter, or any part thereof, is altered, modified, disconnected or otherwise tampered with.

The limited warranty set forth below is given by Cub Cadet LLC with respect to new merchandise used for commercial and related purposes purchased and used in the United States and/or its territories and possessions, and by MTD Products Limited with respect to new merchandise purchased and used in Canada and/or its territories and possessions (either entity respectively, "Cub Cadet").

Cub Cadet warrants this product (excluding its *No-Fault Components*, and *Batteries* as described below) against defects in material and workmanship for a period of two (2) years from the date of original retail purchase or lease and will, at its option, repair or replace, free of charge, any part found to be defective in materials or workmanship.

*Batteries* have a one-year prorated limited warranty against defects in material and workmanship, with 100% replacement during the first three months. After three months, the battery replacement credit is based on the months remaining in the twelve (12) month period dating back to the original date of original sale or lease. Any replacement battery will be warranted only for the remainder of the original warranty period.

*No-Fault Components* include only belts, tires, seats and grass bags which are warranted to be free from defects in material and workmanship for a period of thirty (30) days from the date of original purchase or lease.

**HOW TO OBTAIN SERVICE:** Warranty service is available, WITH PROOF OF PURCHASE AND APPLICABLE MAINTAINANCE RECORDS, through your local authorized service dealer. To locate the dealer in your area;

**In the U.S.A.:**

Check your Yellow Pages, or contact Cub Cadet LLC at P.O. Box 361131, Cleveland, Ohio 44136-0019, or call 1-877-282- 8684, or log on to our Web site at [www.cubcadetcommercial.com](http://www.cubcadetcommercial.com).

**In Canada:**

For all provinces excluding Quebec contact Modern Power Products d/o MTD Canada Ltd. At 60 Ottawa Street South, Kitchener, Ontario N2G 3S7 or call 1-800-567-6775 or log on to our website at [www.cubcadet.ca](http://www.cubcadet.ca).

In Quebec contact Les Distributions RVI Ltee. d/o MTD Canada Ltd. 2955 Jean-Baptiste Deschamps, Ville Lachine, Quebec H8T 1C5 or call 1-800-361-5770 or log on to our website at [www.cubcadet.info](http://www.cubcadet.info).

This limited warranty does not provide coverage in the following cases:

- a. Routine maintenance items such as lubricants, filters, blade sharpening, tune-ups, brake adjustments, clutch adjustments, deck adjustments, control linkages, drive system, engines, and normal deterioration of the exterior finish due to use or exposure.
- b. Service completed by someone other than an authorized service dealer.
- c. For products sold or exported outside of the United States and/or Canada, and their respective possessions and territories, except those sold through Cub Cadet's authorized channels of export distribution.
- d. Damage or failure resulting from the use of defective or improper replacement parts and/or accessories other than genuine Cub Cadet parts.
- e. Transportation charges and service calls.
- f. Failure to operate and maintain the product in accordance with the Operator's Manual furnished with the product,
- g. Damages and failures resulting from misuse, abuse, neglect, accident, improper maintenance, alteration, vandalism, theft, fire, water, or damage because of other peril or natural disaster.

**There are no implied warranties, including without limitation any implied warranty of merchantability or fitness for a particular purpose. No warranties shall apply after the applicable period of express written warranty above. No other express warranties beyond those mentioned above, given by any person or entity, including a dealer or retailer, with respect to any product, shall bind Cub Cadet. The exclusive remedy is repair or replacement of the product as set forth above. The terms of this warranty provide the sole and exclusive remedy arising from the sale and/or lease of the products covered hereby. Cub Cadet shall not be liable for any incidental or consequential loss or damage including, without limitation, expenses incurred for substitute or replacement lawn care services or for rental expenses to temporarily replace a warranted product.**

Some jurisdictions do not allow the exclusion or limitation of incidental or consequential damages, or limitations on how long an implied warranty lasts, so the above exclusions or limitations may not apply to you. This limited warranty gives you specific legal rights, and you may also have other rights that vary in different jurisdictions.

In no event shall recovery of any kind be greater than the amount of the purchase price of the product sold. **Alteration of safety features of the product shall void this warranty.** You assume the risk and liability for loss, damage, or injury to you and your property and/or to others and their property arising out of improper use, misuse or inability to use the product. This limited warranty shall not extend to anyone other than the original purchaser/Leasee or to the person for whom it was purchased or leased as a gift.